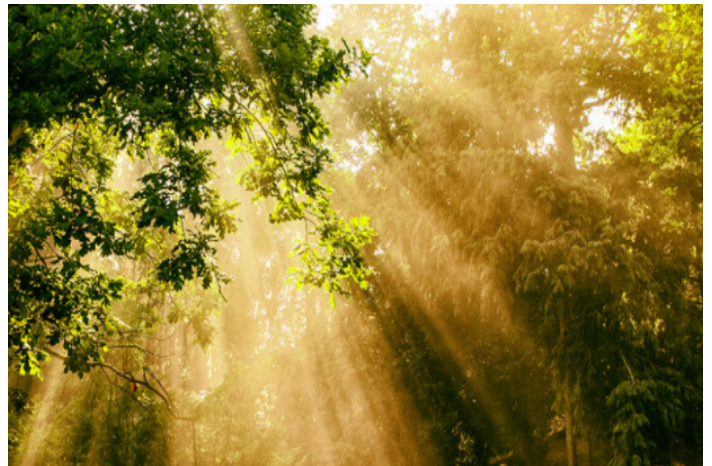


# Lighting Composition #1



**“ LIGHT IS EVERYWHERE ”**

**INTO THE LIGHT Co., Ltd.**

Your Local Lighting Professional Supplier

**2021 Lighting Catalogue**

**INTO THE LIGHT**  
INTO THE LIGHT CO., LTD



# INTO THE LIGHT Co., Ltd.

Your Local Lighting Professional Supplier

## Company Profile

Into The Light is a lighting company based in Bangkok, Thailand established in 2010. We develop clear and concise solution based lighting for a multitude of businesses across all industries. We also provide technical lighting solutions based on traditional and the latest LED lighting technologies including installation. As a lighting supplier of superior lighting factories around the world. We have brought together a diverse range of products with exceptional value for money so that we can provide our customers with the very best solutions to their lighting requirements.

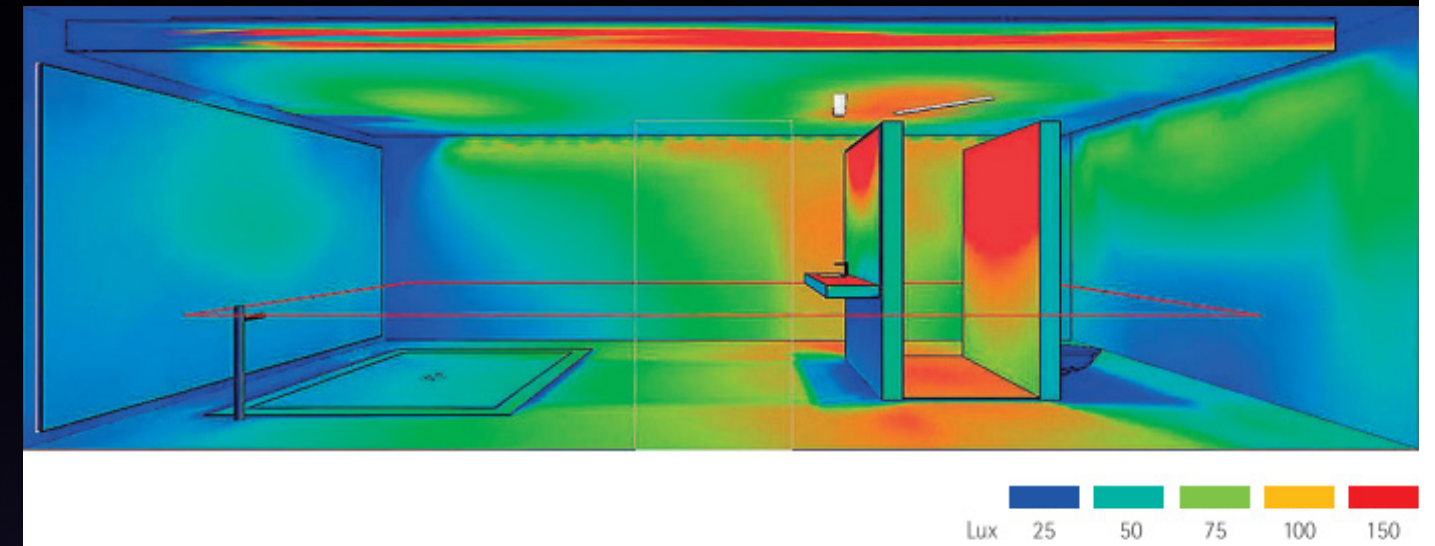
Our mission principle is as customer's needs, selling right products to right people at a right time. We make sure that our products can deliver quality, with good price which is ultimately led by our technical knowledge.

With our expertise and years of experience in the lighting industry we offer our customers a full exposure to the very best lighting solutions by providing a trustful service. Our General Manager **Mr. Noppkarn Kulwichean**, with 17 years's experience in Thailand lighting market, has been involved in finding lighting solutions for many of the major projects in Thailand.

### We offer;

- \* Indoor & Outdoor lighting fixtures
- \* Lighting simulation
- \* Lighting installation
- \* Technical Advice to Designers/ Contractors
- \* Guarantees on all LED products 1-3 years
- \* After Sale Service

For over 17 years We have fused cutting edge technology with our deep understanding of lighting Fixtures and Lamps to create a good combination of Lighting fixtures & Lamps for our precious customers. That is what we called our catalogue "**Lighting Composition #1**"



## Why choose INTO THE LIGHT?



### Reliable

We seek for long term co-operation with all customers based on mutual support and understanding. We concentrate on how we have bespoken to our customers and never let them down.



### Experienced

In possession of an experienced team includes salesman, engineer and product manager those who engaged in Thailand Lighting Market more than 10 years. We can assure you that you project will be nicely done.



### Customization

Our products are flexible to meet differencet project requirements. We listen and understand what customer's need and support you as much as we could.



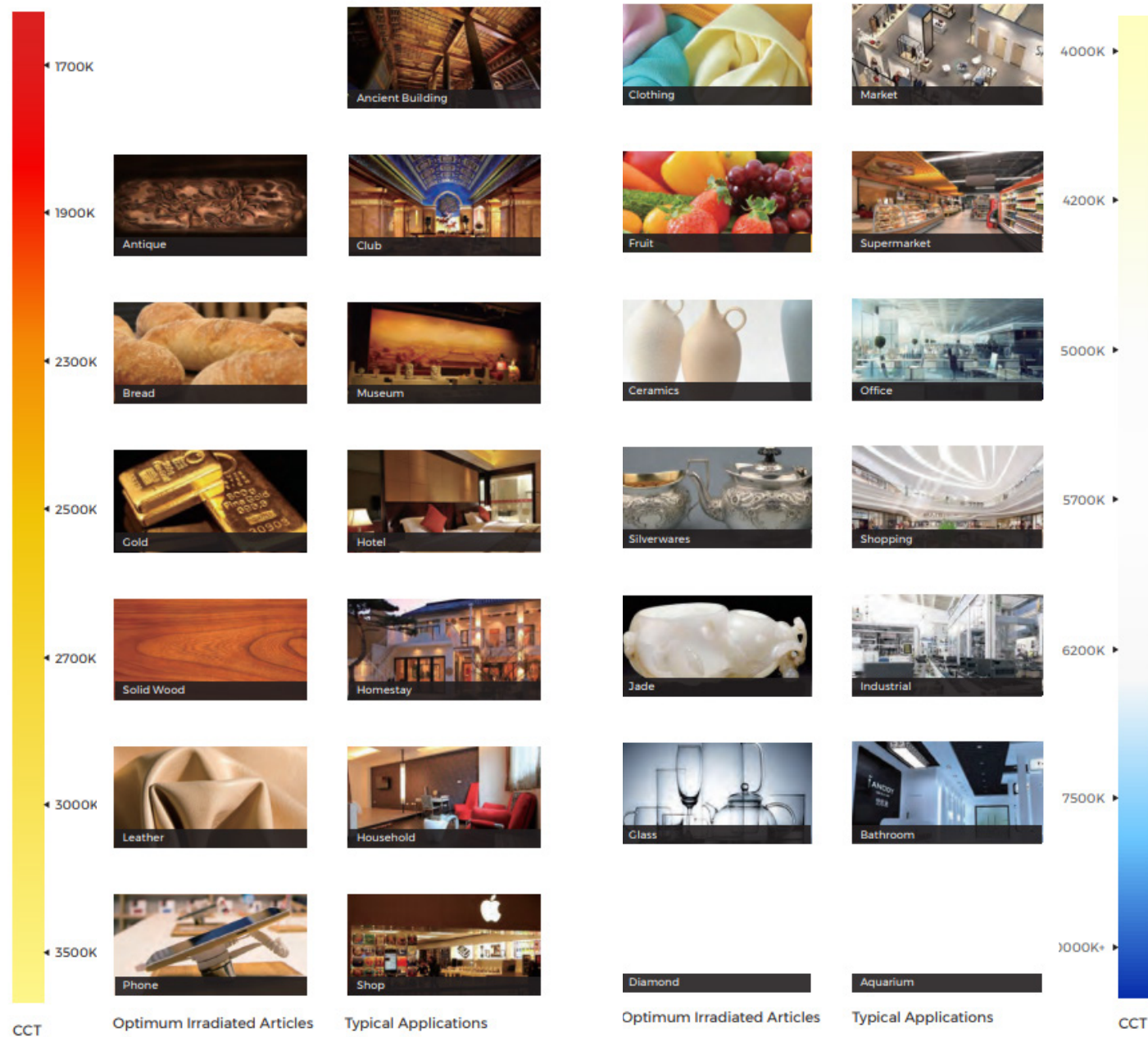
### Quality Assurance

We have set our LED products standard to be Ra90 or above both indoor & outdoor products. We take on responsibility for products we sold and deal with all situations caused by the products.



# Color Application Guidelines

Different color temperatures for different environments make it possible to choose appropriate light source as required



## 01 Interior Lighting

- Downlight
- Track Light
- Strip & Linear Light
- Lamp
- Smart Lighting
- Decorative Architectural Lighting

## 02 Exterior Lighting

- Tree Uplight
- Inground Uplight
- Wall Light
- Underwater Light
- Step Light

## 03 Commercial Lighting

- LED Panel Light
- Batten Light
- LED High Bay
- LED Solar Flood Light
- Flood Light
- Stree Light

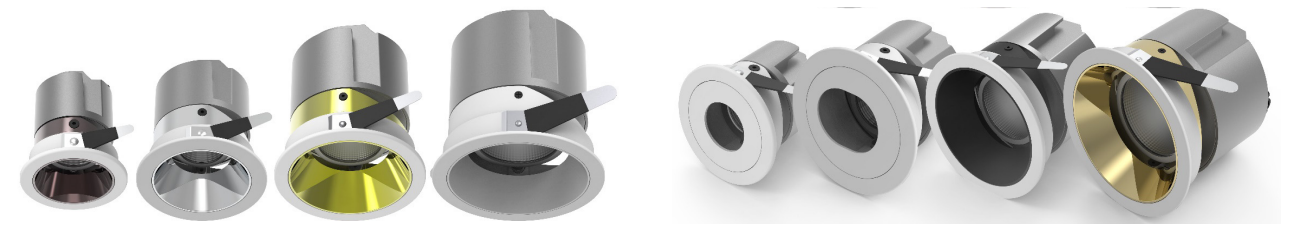




## Downlight



CRI≥95LED, color reproduction is as natural as sunlight



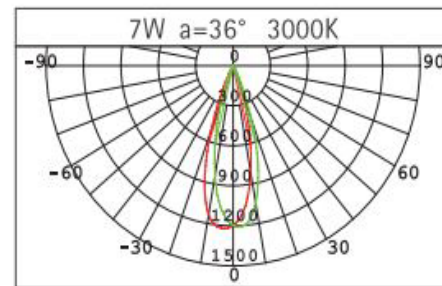
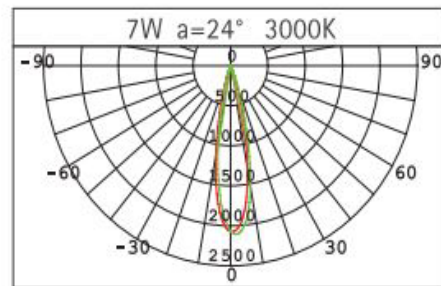
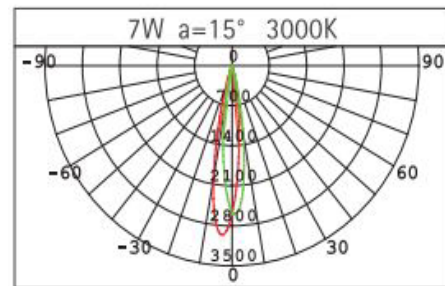
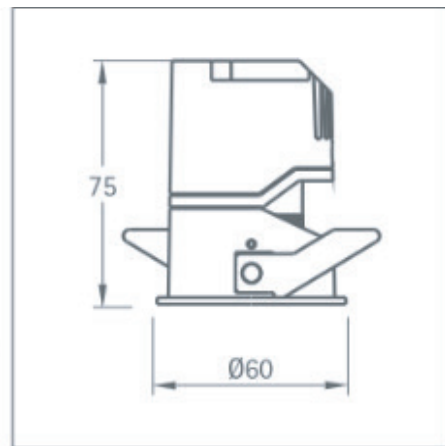




**IL - 1013-1**

**Technical Parameters**

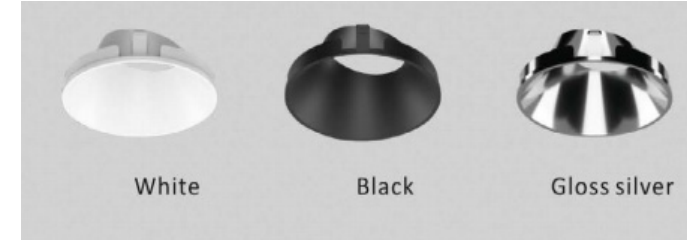
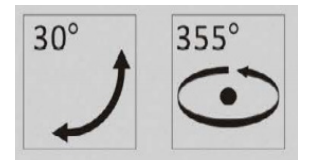
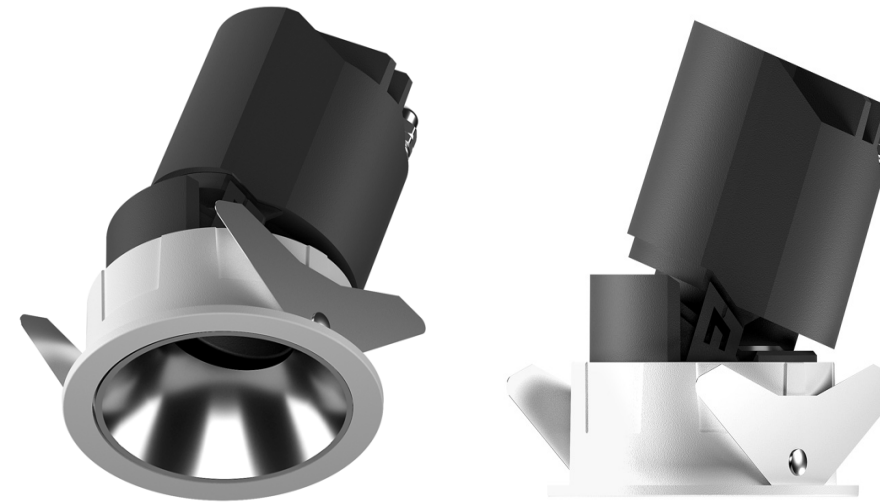
Light Source	LED COB
Power	3W/5W/7W/9W
CCT	2700K / 3000K / 3500K / 4000K
CRI	>90
Input Voltage	AC 220-240V
Beam Angle	15°/24°/36°
Finishing color	White,Black,Silver
Cut Size	Ø 55mm



7W 15°			
Lux			
h(m)	d(m)	Em	Emax
1	0.30	2245	3414
2	0.60	561.2	853.6
3	0.90	249.4	379.4
4	1.20	140.3	213.4

7W 24°			
Lux			
h(m)	d(m)	Em	Emax
1	0.40	1414	2105
2	0.80	353.4	526.3
3	1.19	157.1	233.9
4	1.59	88.36	131.6

7W 36°			
Lux			
h(m)	d(m)	Em	Emax
1	0.56	848.1	1226
2	1.12	212.0	306.5
3	1.69	94.23	136.2
4	2.25	53.01	76.63



DALI/TRIAC/1-10V

8°/15°/24°/38°/60°

Ø 55mm/Ø 75mm/Ø 95mm

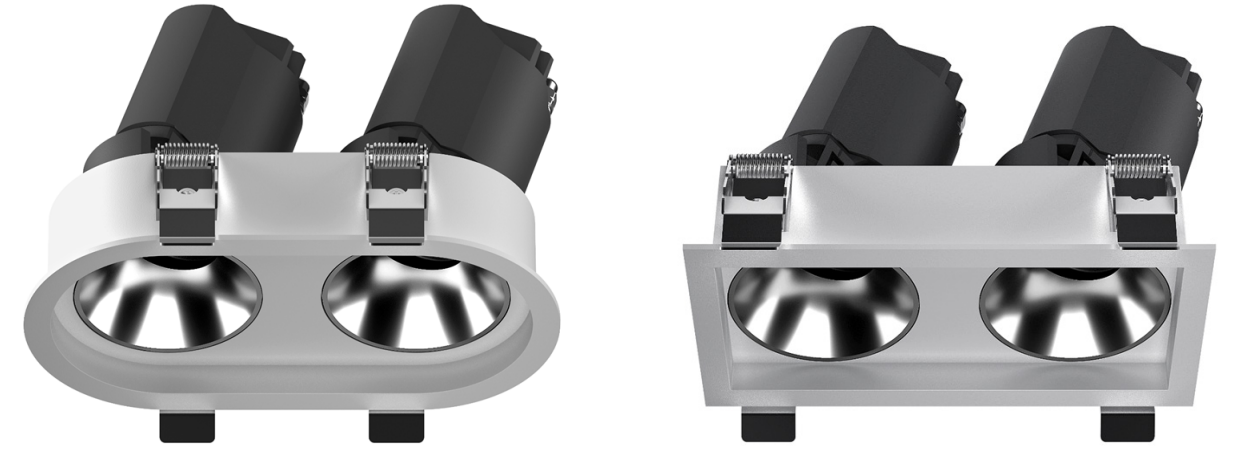
Model NO.	Power	CCT	Lm/W	Size	Cutout
IL -SP01R-C7	7W	3000/4000/5000K	80~90lm/w	Ø62 x H79mm	Ø55mm
IL -SP01R-C12	12W			Ø84 x H100mm	Ø75mm
IL -SP01R-C20	20W			Ø110 x H121mm	Ø95mm



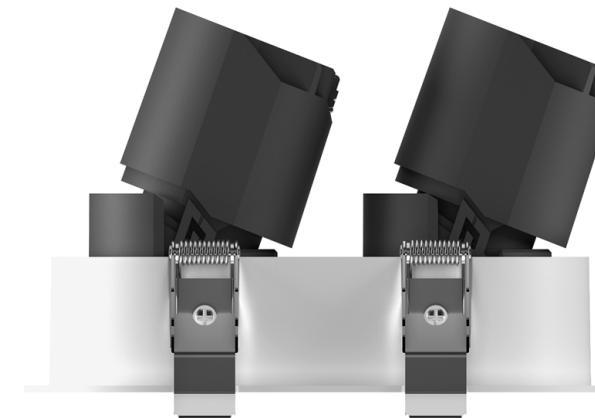


- DALI/TRIAC/1-10V
- 8°/15°/24°/38°/60°
- 55 x 55mm/75 x 75mm/95 x 95mm

Model NO.	Power	CCT	Lm/W	Size	Cutout
IL -SP01S-C7	7W	3000/4000/5000K	80~90lm/w	L64 x W64 x H88mm	55 x 55mm
IL -SP01S-C12	12W			L85 x W85 x H112mm	75 x 75mm
IL -SP01S-C20	20W			L105 x W105 x H138mm	95 x 95mm



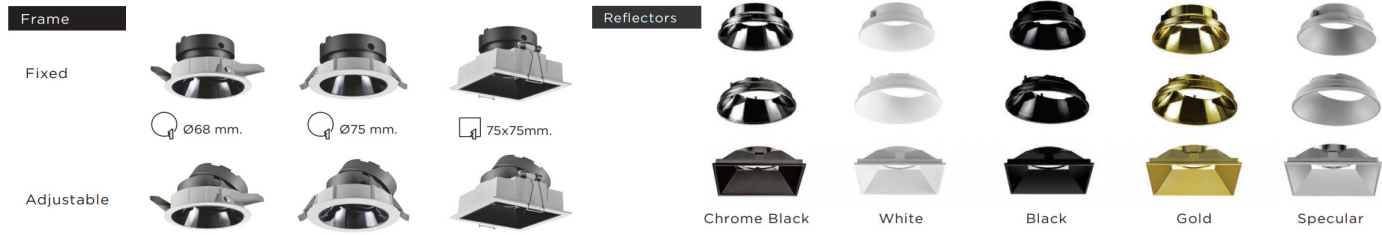
- white
- black
- Gloss silver
- Golden
- Gun black
- Dull silver



- CREE CITIZEN BRIDGELUX
- TRIDONIC PHILIPS LIFUD
- AC 200~240V 50/60Hz
- Ra CRI > 80/CRI > 90/CRI > 95
- DALI/TRIAC/1-10V
- 8°/15°/24°/38°/60°
- 126 x 65mm/178 x 88mm/223 x 109mm  
120 x 60mm/164 x 77mm/207 x 95mm

Model NO.	Power	CCT	Lm/W	Size	Cutout
IL -SP0102R-C14	2 x 7W	3000/4000/5000K	80~90lm/w	L140 x W79 x H84mm	126 x 65mm
IL -SP0102R-C24	2 x 12W			L194 x W104 x H112mm	178 x 88mm
IL -SP0102R-C20	2 x 20W			L239 x W125 x H134mm	223 x 109mm
IL -SP0102S-C14	2 x 7W			L130 x W69 x H84mm	120 x 60mm
IL -SP0102S-C24	2 x 12W			L180 x W91 x H112mm	164 x 77mm
IL -SP0102S-C20	2 x 20W			L224 x W110 x H134mm	207 x 95mm





**IL - 2**

Lamp Base : GU10 / GU5.3  
Material : Die-Casting Aluminum



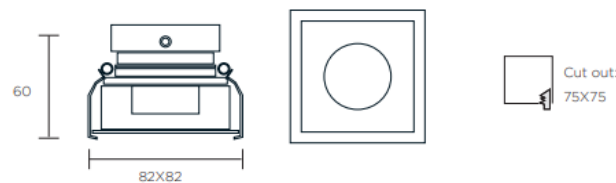
**IL - 2A**

Lamp Base :GU10 / GU5.3  
Material : Die-Casting Aluminum



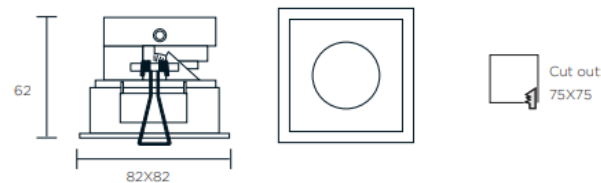
**IL - 3S**

Lamp Base : GU10 / GU5.3  
Material : Die-Casting Aluminum



**IL - 3SA**

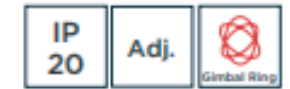
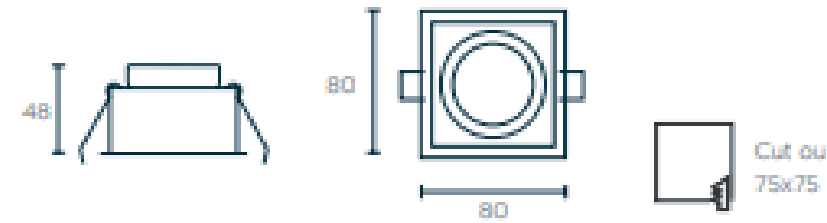
Lamp Base : GU10 / GU5.3  
Material : Die-Casting Aluminum



○ White ● Black

**IL - SA**

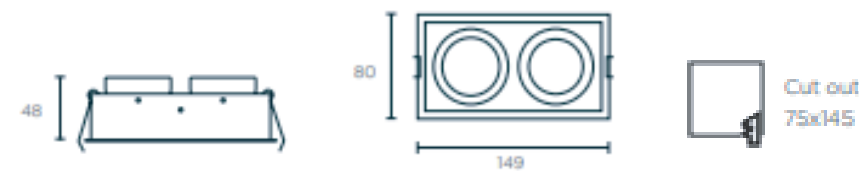
Lamp Base : GU10 / GU5.3  
Material : Die-Casting Aluminum



○ White ● Black

**IL - SA2**

Lamp Base : GU10 / GU5.3  
Material : Die-Casting Aluminum







○ White ● Black



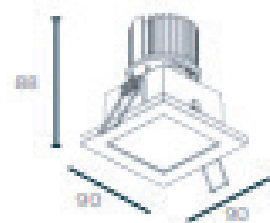
### IL - TE

Lamp Base : GU10 / GU5.3  
Material : Die-Casting Aluminum

IP 44 Fixed



○ White ● Black



### IL - TEKA-S

Lamp Base : GU10 / GU5.3  
Material : Die-Casting Aluminum


IP 44 Fixed

### LOW-GLARE COB DOWNLIGHT



○ white ● black ○ silver



-  CREE
-  TRIDONIC PHILIPS LIFUD
-  AC 200~240V 50/60Hz
-  Ra CRI > 80/CRI > 90
-  DALI/TRIAC/1-10V
-  24°/38°/55°
-  Φ 70mm/Φ 85mm/Φ 120mm/Φ 160mm  
Φ 195mm

Model NO.	Power	CCT	Lm/W	Size	Cutout
IL - DL03-C10	10W	3000/4000/5000K	90~100lm/w	Φ 86 × 55mm	Φ 70mm
IL - DL04-C15	15W			Φ 101 × 60mm	Φ 85mm
IL - DL05-C30	30W			Φ 140 × 73mm	Φ 120mm
IL - DL06-C35	35W			Φ 180 × 94mm	Φ 160mm
IL - DL06-C40	40W			Φ 180 × 94mm	Φ 160mm
IL - DL08-C50	50W			Φ 212 × 110mm	Φ 195mm



## Switch to set CCT



One lamp, three colors



- SMD 2835
- TRIDONIC PHILIPS
- AC 200~240V 50/60Hz
- Ra CRI > 80/CRI > 90/CRI > 95
- DALI/TRIAC/1-10V
- 100°
- $\Phi$  70mm/  $\Phi$  90mm/  $\Phi$  100mm/  $\Phi$  125mm  
 $\Phi$  140mm/  $\Phi$  150mm/  $\Phi$  200mm

Model NO.	Power	CCT	Lm/W	Size	Cutout
IL -DL02C-S8	8W	Changeable for 3000 k/4000k/6000k	90~100lm/w	$\Phi$ 85 x H36mm	$\Phi$ 70mm
IL -DL03C-S12	12W			$\Phi$ 100 x H36mm	$\Phi$ 90mm
IL -DL04C-S15	15W			$\Phi$ 110 x H36mm	$\Phi$ 100mm
IL -DL05C-S20	20W			$\Phi$ 140 x H38mm	$\Phi$ 125mm
IL -DL05.5C-S25	25W			$\Phi$ 155 x H38mm	$\Phi$ 140mm
IL -DL06C-S30	30W			$\Phi$ 165 x H38mm	$\Phi$ 150mm
IL -DL08C-S40	40W			$\Phi$ 215 x H41mm	$\Phi$ 200mm



- Bridgelux SMD
- TRIDONIC PHILIPS
- AC 200~240V 50/60Hz
- Ra CRI > 80/CRI > 90/CRI > 95
- DALI/TRIAC/1-10V
- 70°
- $\Phi$  75mm/  $\Phi$  90mm/  $\Phi$  120mm  
 $\Phi$  150mm/  $\Phi$  200mm

Model NO.	Power	CCT	Lm/W	Size	Cutout
IL -DL03D-S8	8W	3000/4000/6000k	90~100lm/w	$\Phi$ 90 x H38mm	$\Phi$ 75mm
IL -DL04D-S9	9W			$\Phi$ 102 x H68mm	$\Phi$ 90mm
IL -DL05D-S15	15W			$\Phi$ 140 x H68mm	$\Phi$ 120mm
IL -DL06D-S30	30W			$\Phi$ 180 x H90mm	$\Phi$ 150mm
IL -DL08D-S42	42W			$\Phi$ 230 x H120mm	$\Phi$ 200mm

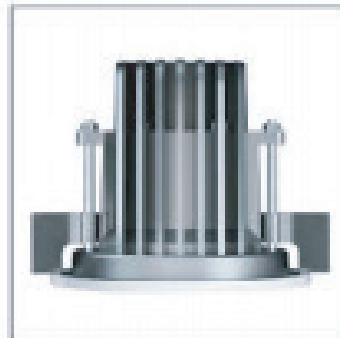




**IP65 water-Proof**

white black silver

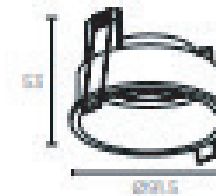
- CREE CITIZEN PHILIPS
- TRIDONIC PHILIPS
- AC 200~240V 50/60Hz
- Ra** CRI > 80/CRI > 90/CRI > 95
- DALI/TRIAC/1-10V
- 15°/24°/36°
- $\Phi$  75mm/ $\Phi$  100mm/ $\Phi$  125mm



Model NO.	Power	CCT	Lm/W	Size	Cutout
IL -SP03IP-C10	10W	2700/3000/4000/5000K	90~100lm/w	$\Phi$ 85 × 75mm	$\Phi$ 75mm
IL -SP04IP-C20	20W			$\Phi$ 115 × 100mm	$\Phi$ 100mm
IL -SP05IP-C30	30W			$\Phi$ 140 × 126mm	$\Phi$ 125mm



White Black



**IL - GEM**

Lamp Base : GU10 / GU5.3  
Material : Die-Casting Aluminum

IP 20 Fixed



White Black

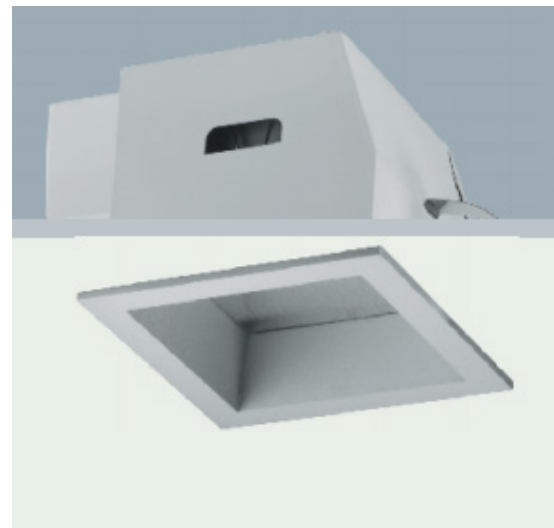


**IL - GEM-02**

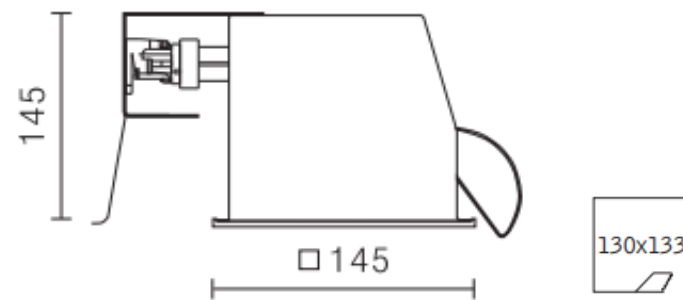
Lamp Base : GU10 / GU5.3  
Material : Die-Casting Aluminum

IP 20 Fixed



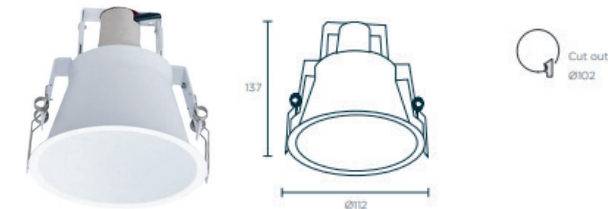
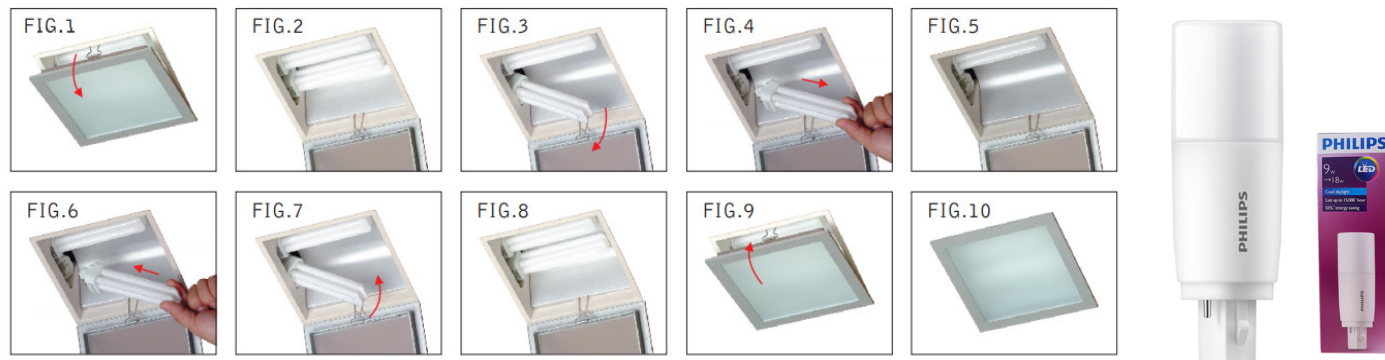


**IL - 97218**



**Mounting frame:** die-cast aluminium, powder-coated, with safety glass.  
**Housing:** steel, white, quick installation system, 40° cut-off angle.  
**Reflector:** aluminium, anodized.

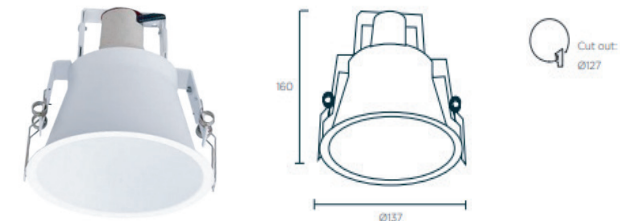
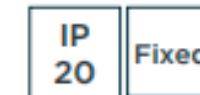
Replacement of light sources



**IL - PLUM-1**

○ White ● Black

Lamp Base : E27  
Material : Die-Casting Aluminum



**IL - PLUM-2**

○ White ● Black

Lamp Base : E27  
Material : Die-Casting Aluminum



**IL - DAVITO-SA**

○ White ● Black

Lamp Base : GU10  
Material : Die-Casting Aluminum



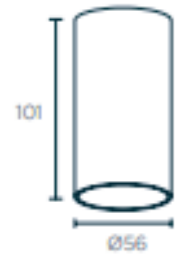
**IL - DAVITO-SA2**

○ White ● Black

Lamp Base : GU10  
Material : Die-Casting Aluminum







### IL - KALON-1

○ White ● Black ● Silver

Lamp Base : GU10  
Material : Die-Casting Aluminum

IP 20 Fixed



### IL - KALON-1S

○ White ● Black ● Silver

Lamp Base : GU10  
Material : Die-Casting Aluminum

IP 20 Fixed

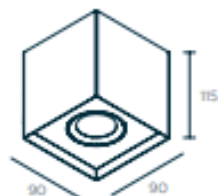


### IL - POSEY-A

○ White ● Black

Lamp Base : GU10  
Material : Aluminum

IP 20 Adj. Tilt&Rotate



### IL - POSEY-SA

○ White ● Black

Lamp Base : GU10  
Material : Aluminum

IP 20 Adj. Tilt&Rotate



○ White ● Black ● Silver

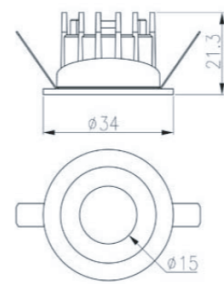
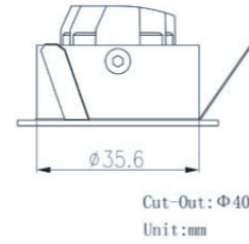


- CREE CITIZEN PHILIPS
- TRIDONIC PHILIPS LIFUD
- AC 200~240V 50/60Hz
- Ra CRI > 80/CRI > 90/CRI > 95
- DIMMABLE DALI/TRIAC/1-10V
- 15°/24°/40°

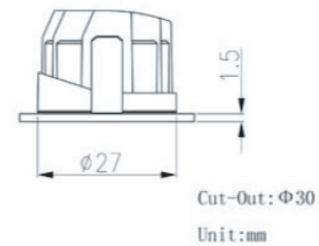
Model NO.	Power	CCT	Lm/W	Size	Installation
IL -SF03-C10	10W	3000K 4000K 5000K	90~100lm/w	Φ 75 × 100mm	Surface Mounted Suspended
IL -SF03-C15	15W			Φ 75 × 152mm	
IL -SF04-C20	20W			Φ 95 × 152mm	
IL -SF05-C30	30W			Φ 115 × 152mm	
IL -SF06-C40	40W			Φ 140 × 162mm	
IL -SF06-C50	50W			Φ 140 × 162mm	
IL -SF07-C60	60W			Φ 170 × 182mm	
IL -SF08-C80	80W			Φ 205 × 212mm	



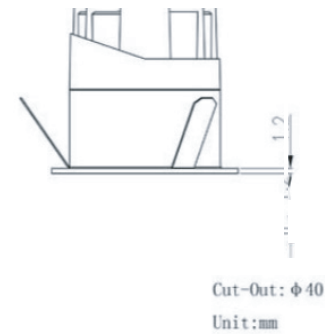
**IL - KD012040 - 2W**



**IL - KD011030 - 2W**



**IL - KD011040H - 5w**



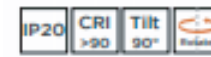
**IL - B35C - 9W**

700lm  
\*1000lm



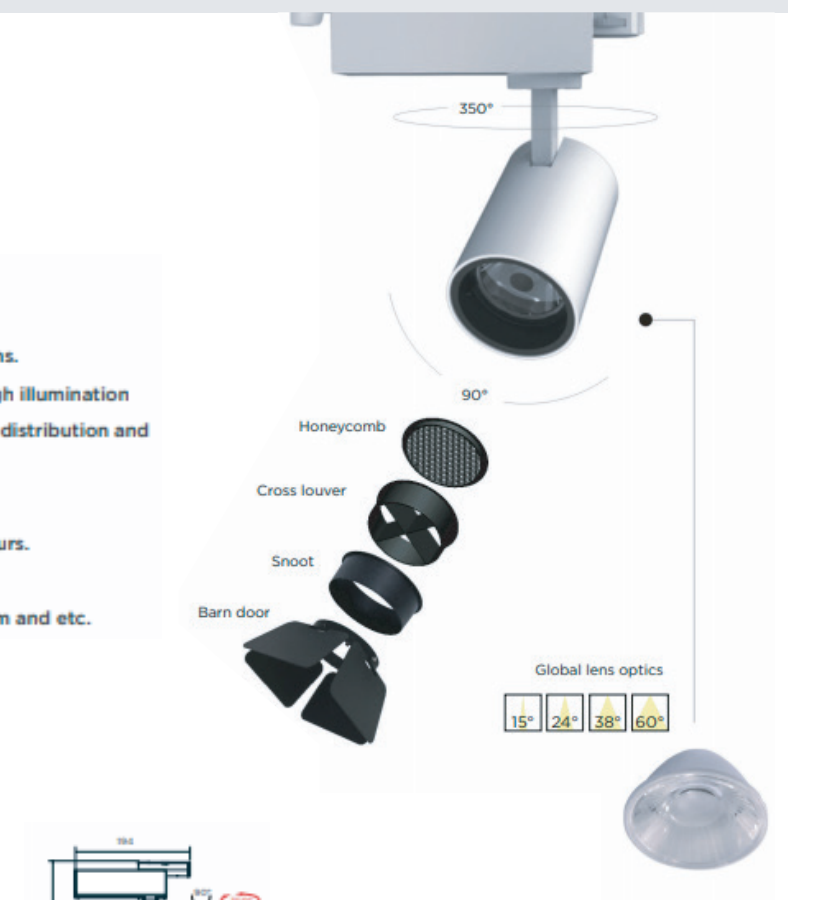
## Track Light

**IL - ECO TRL25**



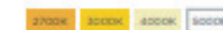
- Suitable for various tracks, adjustable for multi-directions.
- Adopt imported COB LED, high CRI, high efficiency, high illumination
- Self-designed reflector with special optic, precise light distribution and high lumen output, no-glare, soft and tender light.
- Environmental, no UV, nice heat dissipation
- Easy to install and to adjust. Life span up to 50,000 hours.
- Various power options for different requirements.
- Applied to shopping mall, hotel, exhibition hall, museum and etc.

**IL - ECO TRL35**



**IL - TRL 25**

Power : 25W  
Lumen : 1875 lm  
Dimmable Support : Non-dim / Triac  
Current / Voltage : 600 mA / 36V  
Beam Angle : 15° / 24° / 38° / 60°  
CRI : >90  
Rotate : 350°



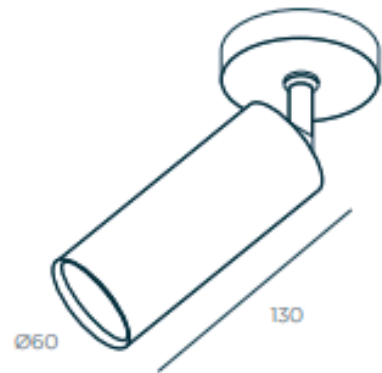
**IL - TRL 35**

Power : 35W  
Lumen : 2475 lm  
Dimmable Support : Non-dim / Triac  
Current / Voltage : 800 mA / 36V  
Beam Angle : 15° / 24° / 38° / 60°  
CRI : >90  
Rotate : 350°



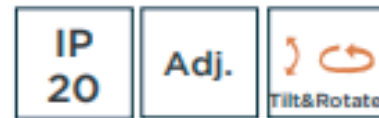


**IL - RET SPOT-GU10**

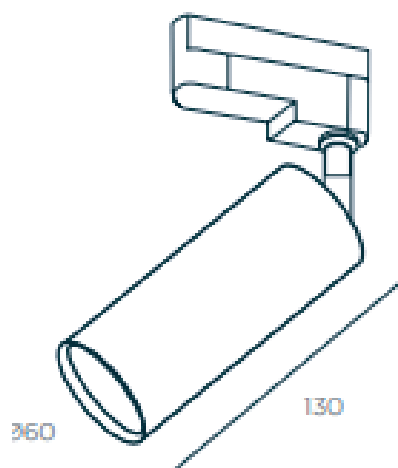


○ White ● Black

Lamp Base : GU10  
Material : Aluminum

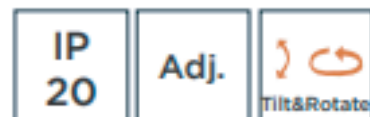


**IL - RET TRL-GU10**

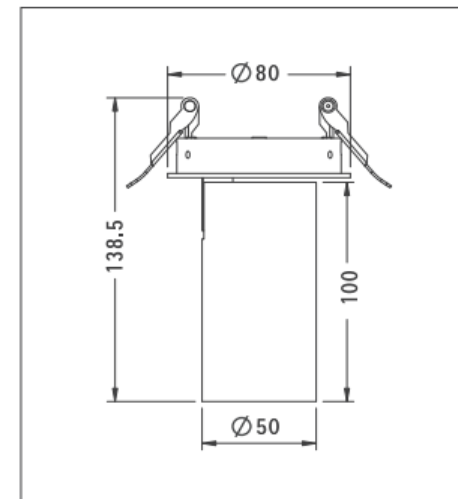


○ White ● Black

Lamp Base : GU10  
Material : Aluminum

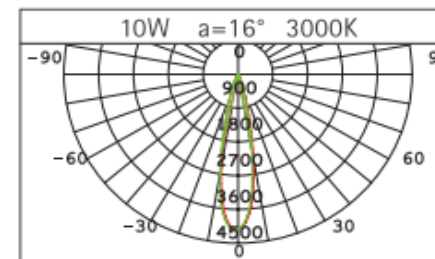


**IL - SPORT TR10**

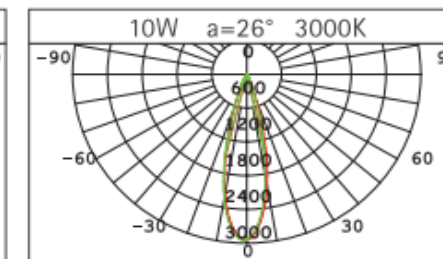


**Technical Parameters**

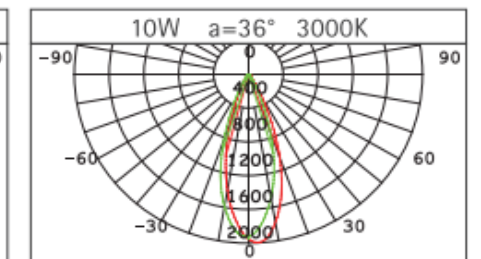
Light Source	LED COB
Power	Max 10W
CCT	2700K / 3000K / 3500K / 4000K
CRI	>90
Input Voltage	AC 220-240V
Beam Angle	16°/26°/36°
Finishing Color	White,Black,Silver
Cut Size	Ø 75mm
Net Weight	0.48kg/pc



10W 16°			
Lux			
h(m)	d(m)	Em	E <sub>max</sub>
1	0.37	2992	4142
2	0.74	747.9	1036
3	1.11	332.4	460.3



10W 26°			
Lux			
h(m)	d(m)	Em	E <sub>max</sub>
1	0.48	2013	2945
2	0.96	503.1	736.3
3	1.44	223.6	327.3



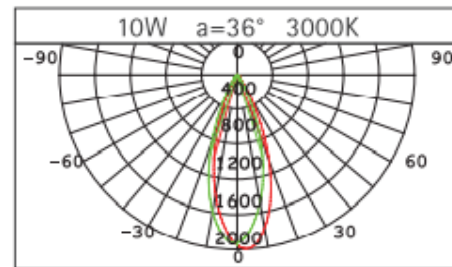
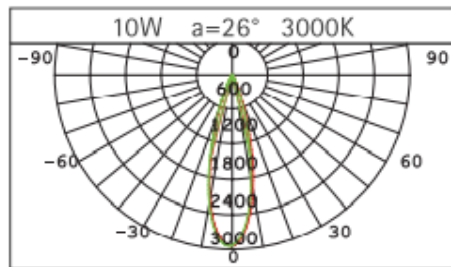
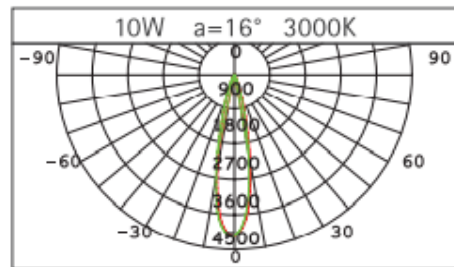
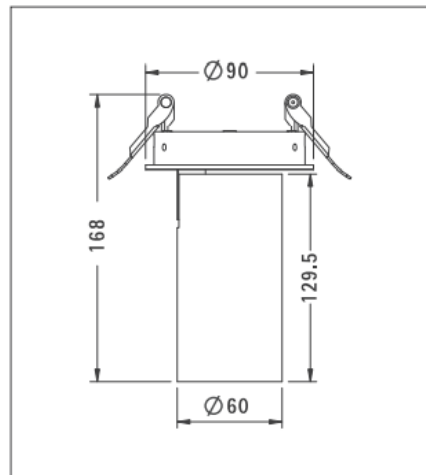
10W 36°			
Lux			
h(m)	d(m)	Em	E <sub>max</sub>
1	0.64	1327	1961
2	1.28	311.7	490.3
3	1.92	147.4	217.9



**IL - SPORT TR20**

**Technical Parameters**

Light Source	LED COB
Power	Max 20W
CCT	2700K / 3000K / 3500K / 4000K
CRI	>90
Input Voltage	AC 220-240V
Beam Angle	16°/26°/36°
Finishing Color	White,Black,Silver
Cut Size	Ø 85mm
Net Weight	0.63kg/pc



Lux			
h(m)	d(m)	Em	E <sub>max</sub>
1	0.37	2992	4142
2	0.74	747.9	1036
3	1.11	332.4	460.3

Lux			
h(m)	d(m)	Em	E <sub>max</sub>
1	0.48	2013	2945
2	0.96	503.1	736.3
3	1.44	223.6	327.3

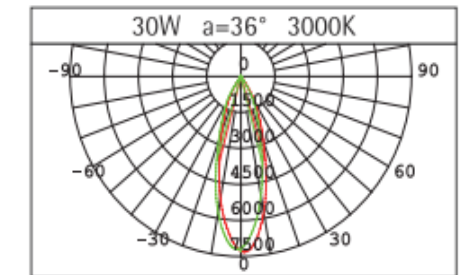
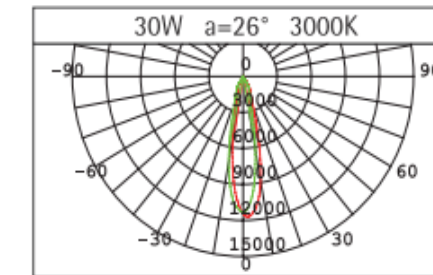
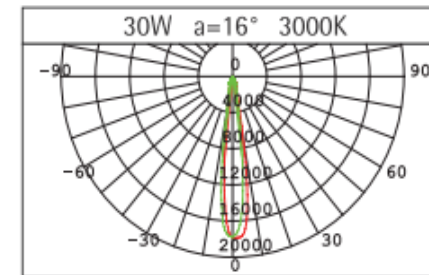
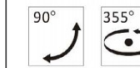
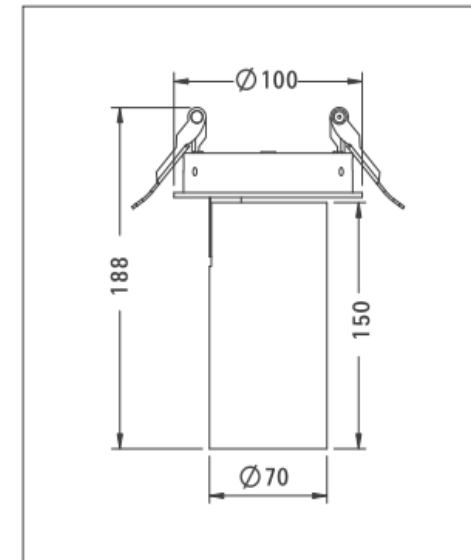
Lux			
h(m)	d(m)	Em	E <sub>max</sub>
1	0.64	1327	1961
2	1.28	311.7	490.3
3	1.92	147.4	217.9



**IL - SPORT TR30**

**Technical Parameters**

Light Source	LED COB
Power	Max 30W
CCT	2700K / 3000K / 3500K / 4000K
CRI	>90
Input Voltage	AC 220-240V
Beam Angle	16°/26°/36°
Finishing Color	White,Black,Silver
Cut Size	Ø 95mm
Net Weight	0.87kg/pc



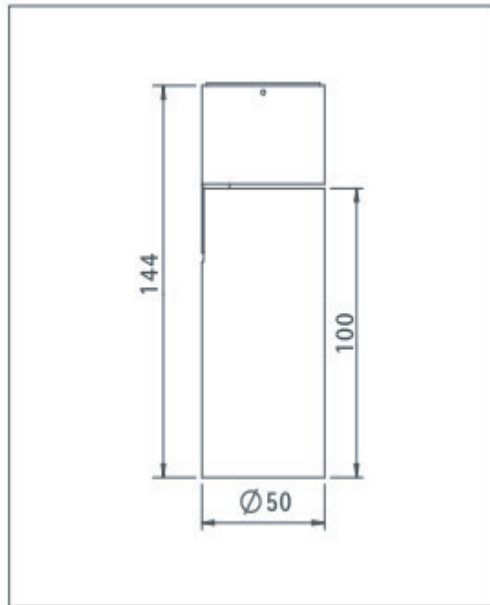
30W 16° Lux			
h(m)	d(m)	Em	E <sub>max</sub>
1	0.26	13397	17871
2	0.52	3349	4468
3	0.78	1489	1986

30W 26° Lux			
h(m)	d(m)	Em	E <sub>max</sub>
1	0.4	8087	11678
2	0.81	2022	2920
3	1.21	899	1298

30W 36° Lux			
h(m)	d(m)	Em	E <sub>max</sub>
1	0.57	4858	7318
2	1.14	1215	1829
3	1.71	540	814

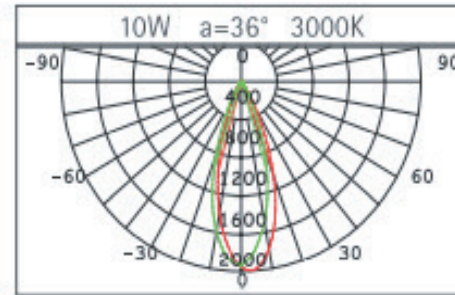
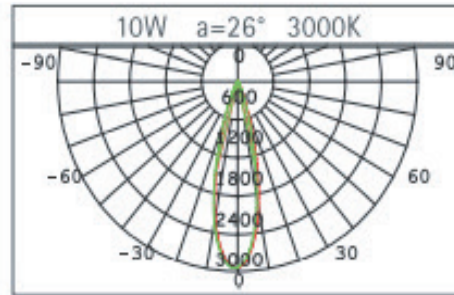
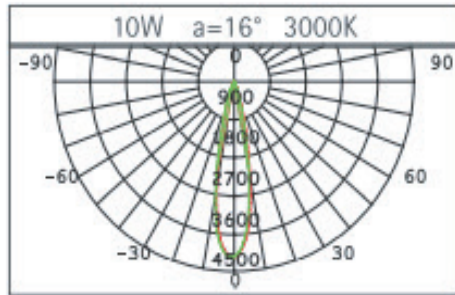


**IL - BASE TR10**



**Technical Parameters**

Light Source	LED COB
Power	Max 10W
CCT	2700K / 3000K / 3500K / 4000K
CRI	>90
Input Voltage	AC 220-240V
Beam Angle	16°/26°/36°
Finishing Color	White,Black,Silver
Net Weight	0.48kg/pc
QTY/CTN	40PCS

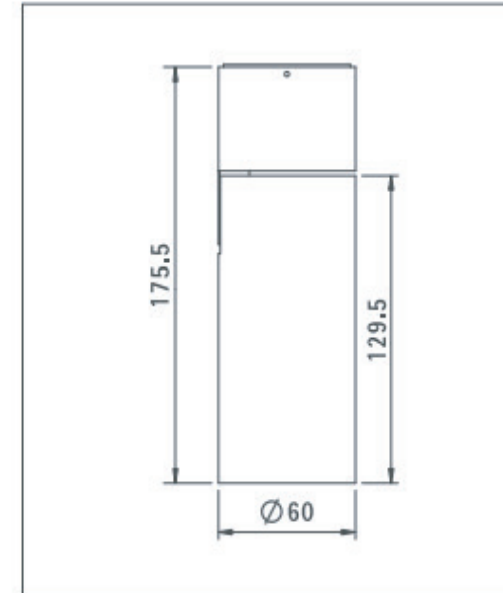


10W 16°				
Lux				
h(m)	d(m)	Em	Emax	
1	0.37	2992	4142	
2	0.74	747.9	1036	
3	1.11	332.4	460.3	

10W 26°				
Lux				
h(m)	d(m)	Em	Emax	
1	0.48	2013	2945	
2	0.96	503.1	736.3	
3	1.44	223.6	327.3	

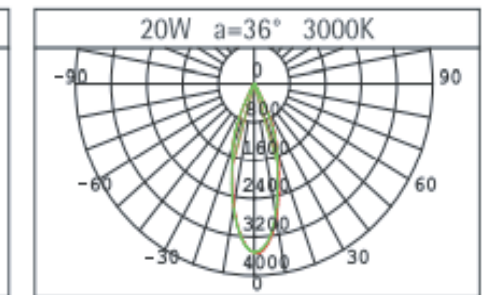
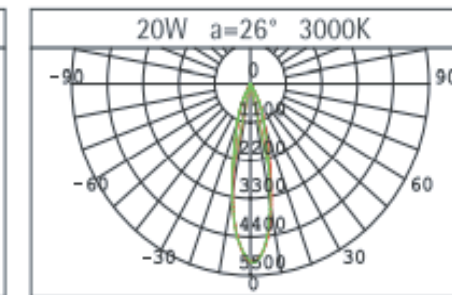
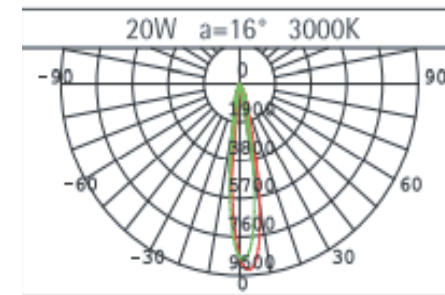
10W 36°				
Lux				
h(m)	d(m)	Em	Emax	
1	0.64	1327	1961	
2	1.28	311.7	490.3	
3	1.92	147.4	217.9	

**IL - BASE TR20**



**Technical Parameters**

Light Source	LED COB
Power	Max 20W
CCT	2700K / 3000K / 3500K / 4000K
CRI	>90
Input Voltage	AC 220-240V
Beam Angle	16°/26°/36°
Finishing Color	White,Black,Silver
Net Weight	0.63kg/pc
QTY/CTN	32PCS



20W 16°				
Lux				
h(m)	d(m)	Em	Emax	
1	0.3	6223	9208	
2	0.59	1556	2302	
3	0.89	692	1023	

20W 26°				
Lux				
h(m)	d(m)	Em	Emax	
1	0.45	3543	5121	
2	0.91	886	1280	
3	1.36	394	569	

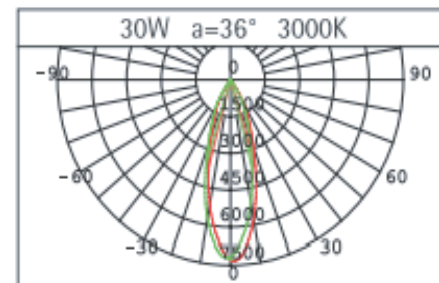
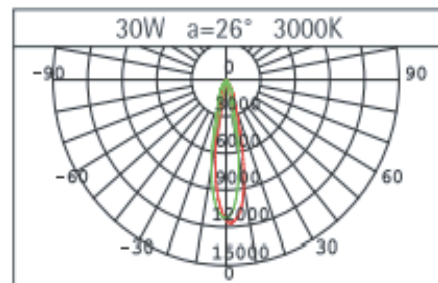
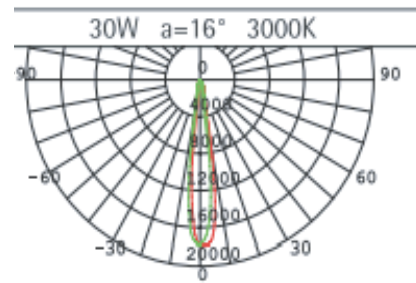
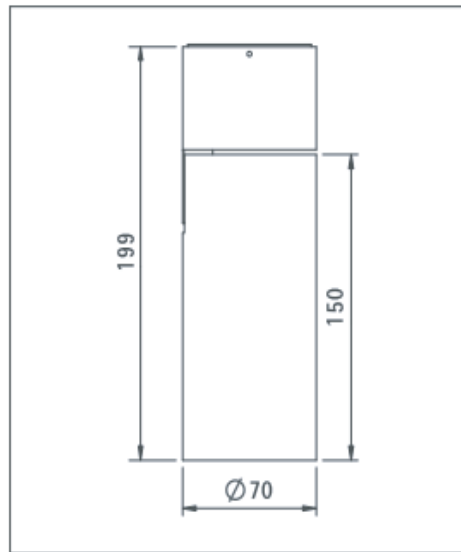
20W 36°				
Lux				
h(m)	d(m)	Em	Emax	
1	0.61	2330	3532	
2	1.21	583	883	
3	1.82	259	393	

**IL - BASE TR30**



**Technical Parameters**

Light Source	LED COB
Power	Max 30W
CCT	2700K / 3000K / 3500K / 4000K
CRI	>90
Input Voltage	AC 220-240V
Beam Angle	16°/26°/36°
Finishing Color	White,Black,Silver
Net Weight	0.87kg/pc
QTY/CTN	18PCS



30W 16°			
Lux			
h(m)	d(m)	Em	Emax
1	0.26	13397	17871
2	0.52	3349	4468
3	0.78	1489	1986

30W 26°			
Lux			
h(m)	d(m)	Em	Emax
1	0.4	8087	11678
2	0.81	2022	2920
3	1.21	899	1298

30W 36°			
Lux			
h(m)	d(m)	Em	Emax
1	0.57	4858	7318
2	1.14	1215	1829
3	1.71	540	814

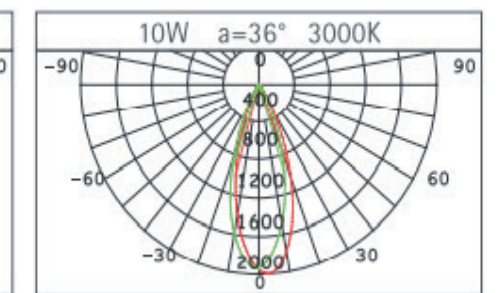
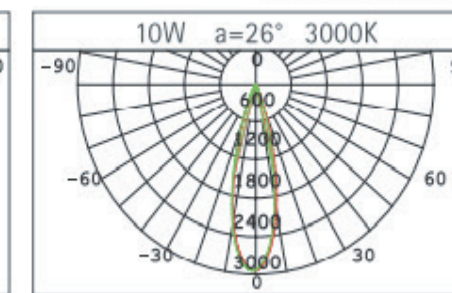
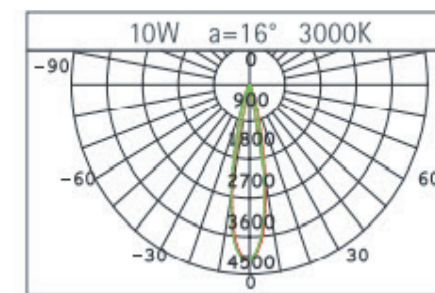
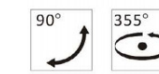
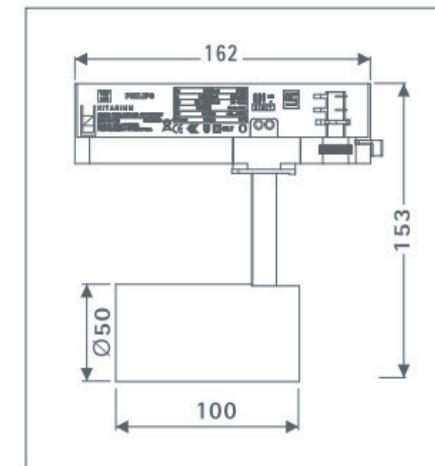


**IL - MASTER TRL10**



**Technical Parameters**

Light Source	LED COB
Power	Max 10W
CCT	2700K / 3000K / 3500K / 4000K
CRI	>90
Input Voltage	AC 220-240V
Beam Angle	16°/26°/36°
Finishing color	White,Black,Silver
Net Weight	0.48kg/pc
QTY/CTN	20PCS



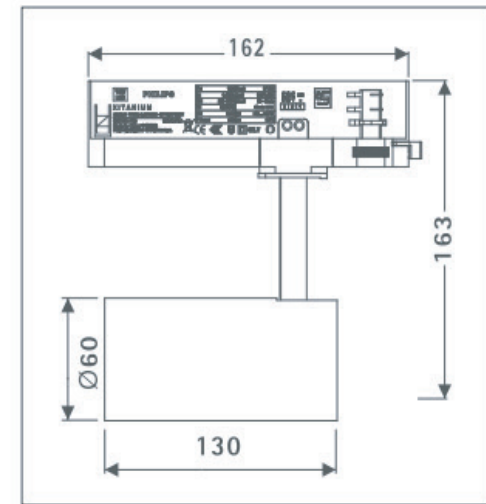
10W 16°			
Lux			
h(m)	d(m)	Em	Emax
1	0.37	2992	4142
2	0.74	747.9	1036
3	1.11	332.4	460.3

10W 26°			
Lux			
h(m)	d(m)	Em	Emax
1	0.48	2013	2945
2	0.96	503.1	736.3
3	1.44	223.6	327.3

10W 36°			
Lux			
h(m)	d(m)	Em	Emax
1	0.64	1327	1961
2	1.28	311.7	490.3
3	1.92	147.4	217.9

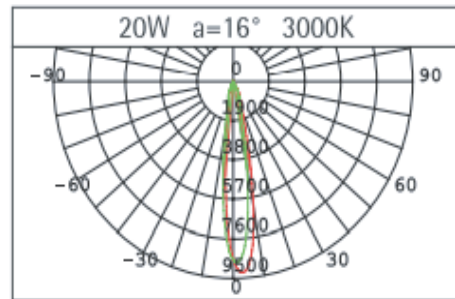


**IL - MASTER TRL20**

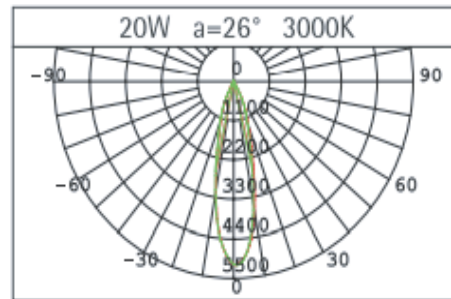


**Technical Parameters**

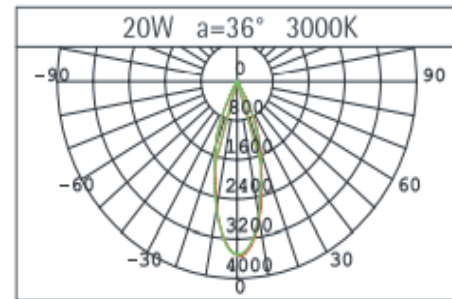
Light Source	LED COB
Power	Max 20W
CCT	2700K / 3000K / 3500K / 4000K
CRI	>90
Input Voltage	AC 220-240V
Beam Angle	16°/26°/36°
Finishing color	White,Black,Silver
Net Weight	0.63kg/pc
QTY/CTN	20PCS



20W 16°			
Lux			
h(m)	d(m)	Em	Emax
1	0.3	6223	9208
2	0.59	1556	2302
3	0.89	692	1023

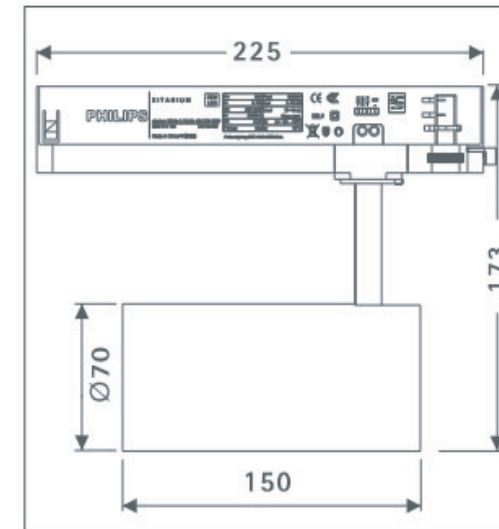


20W 26°			
Lux			
h(m)	d(m)	Em	Emax
1	0.45	3543	5121
2	0.91	886	1280
3	1.36	394	569



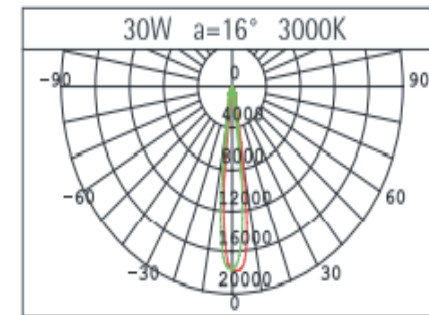
20W 36°			
Lux			
h(m)	d(m)	Em	Emax
1	0.61	2330	3532
2	1.21	583	883
3	1.82	259	393

**IL- MASTER TRL30**

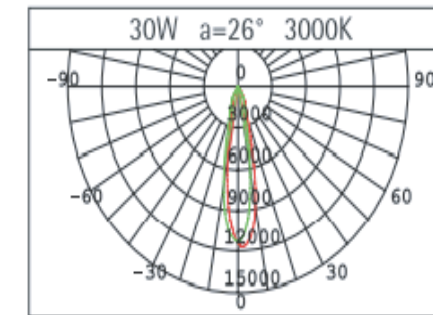


**Technical Parameters**

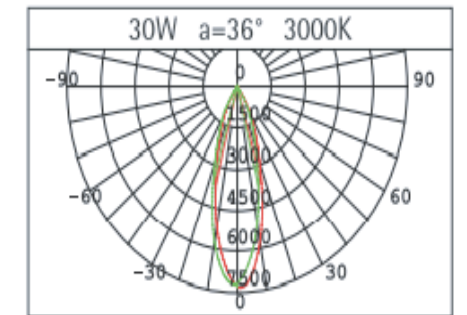
Light Source	LED COB
Power	Max 30W
CCT	2700K / 3000K / 3500K / 4000K
CRI	>90
Input Voltage	AC 220-240V
Beam Angle	16°/26°/36°
Finishing color	White,Black,Silver
Net Weight	0.78kg/pc
QTY/CTN	20PCS



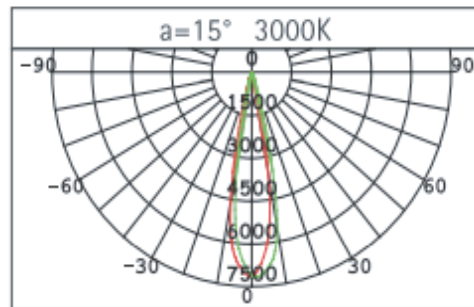
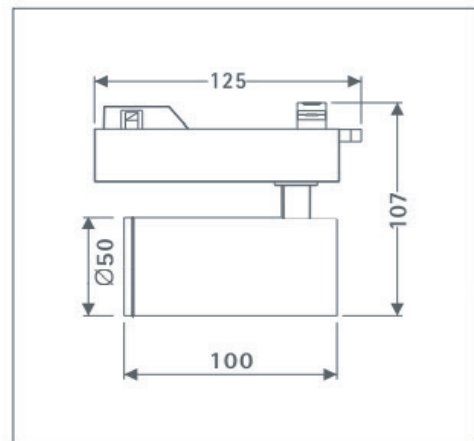
30W 16°			
Lux			
h(m)	d(m)	Em	Emax
1	0.26	13397	17871
2	0.52	3349	4468
3	0.78	1489	1986



30W 26°			
Lux			
h(m)	d(m)	Em	Emax
1	0.4	8087	11678
2	0.81	2022	2920
3	1.21	899	1298



30W 36°			
Lux			
h(m)	d(m)	Em	Emax
1	0.57	4858	7318
2	1.14	1215	1829
3	1.71	540	814



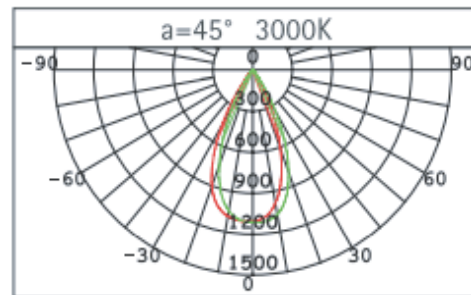
10W 15°			
Lux			
h(m)	d(m)	Em	E <sub>max</sub>
1	0.24	3853	7101
2	0.48	963.2	1775
3	0.72	428.1	789.0



### IL - SMART TRL10

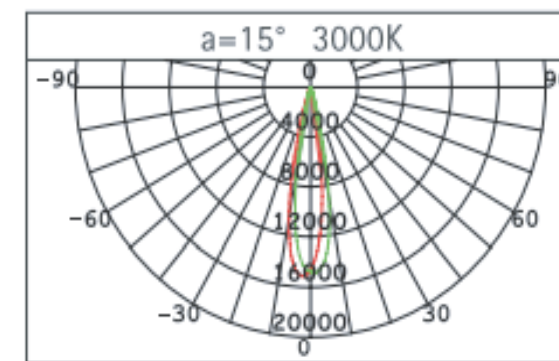
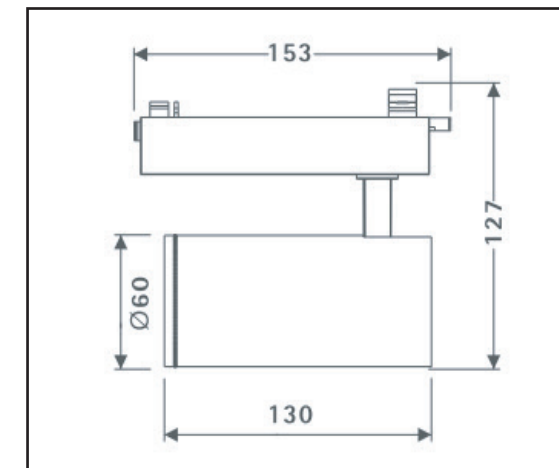
#### Technical Parameters

Light Source	LED COB
Power	Max 10W
CCT	2700K / 3000K / 3500K / 4000K
CRI	>90
Input Voltage	AC 220-240V
Beam Angle	15°~45°
Finishing color	White,Black,Silver
Net Weight	0.485 kg/pc
QTY/CTN	16 PCS



10W 45°			
Lux			
h(m)	d(m)	Em	E <sub>max</sub>
1	0.82	856.6	1340
2	1.64	214.2	335.1
3	2.46	95.18	148.9

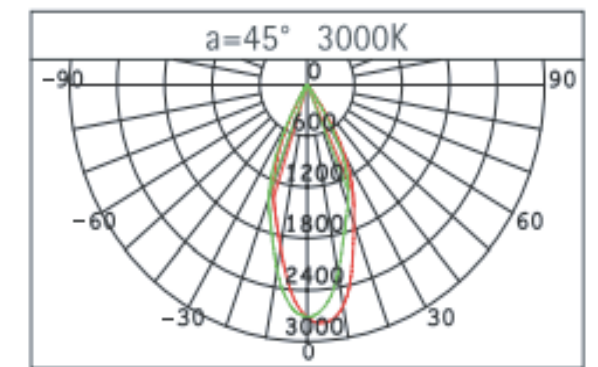
### IL - SMART TRL20



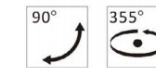
20W 15°			
Lux			
h(m)	d(m)	Em	E <sub>max</sub>
1	0.26	10467	15277
2	0.52	2617	3819
3	0.78	1163	1697

#### Technical Parameters

Light Source	LED COB
Power	Max 20W
CCT	2700K / 3000K / 3500K / 4000K
CRI	>90
Input Voltage	AC 220-240V
Beam Angle	15°~45°
Finishing color	White,Black,Silver
Net Weight	0.615 kg/pc
QTY/CTN	12 PCS



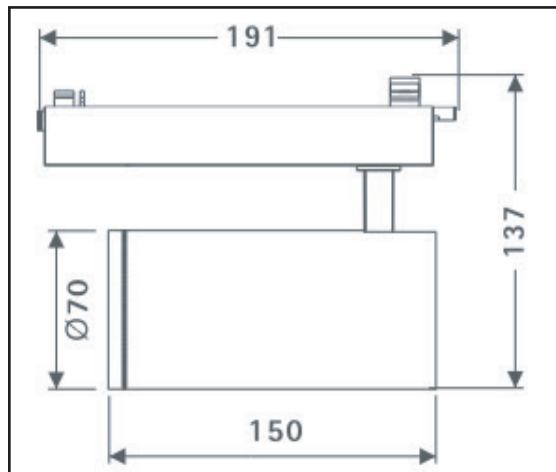
20W 45°			
Lux			
h(m)	d(m)	Em	E <sub>max</sub>
1	0.77	1669	2772
2	1.54	417.3	693.1
3	2.31	185.5	308.0





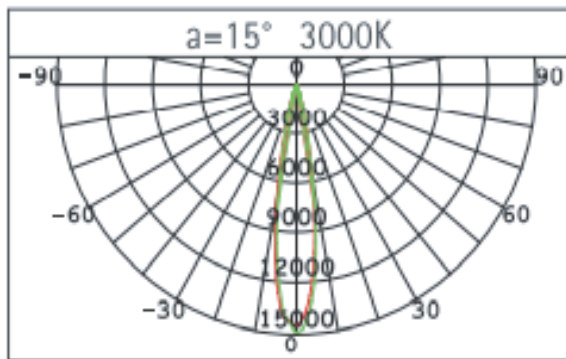
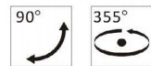


**IL - SMART TRL30**



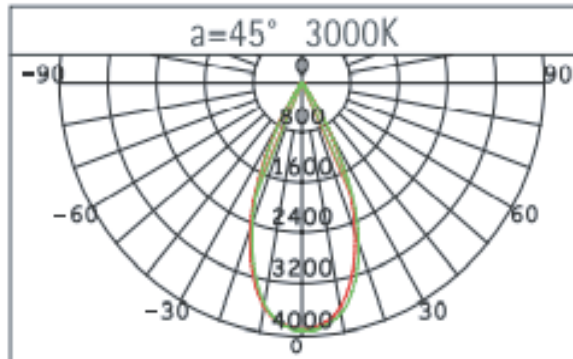
**Technical Parameters**

Light Source	LED COB
Power	Max 30W
CCT	2700K / 3000K / 3500K / 4000K
CRI	>90
Input Voltage	AC 220-240V
Beam Angle	15°~45°
Finishing color	White,Black,Silver
Net Weight	0.852 kg/pc
QTY/CTN	20 PCS



30W 15°

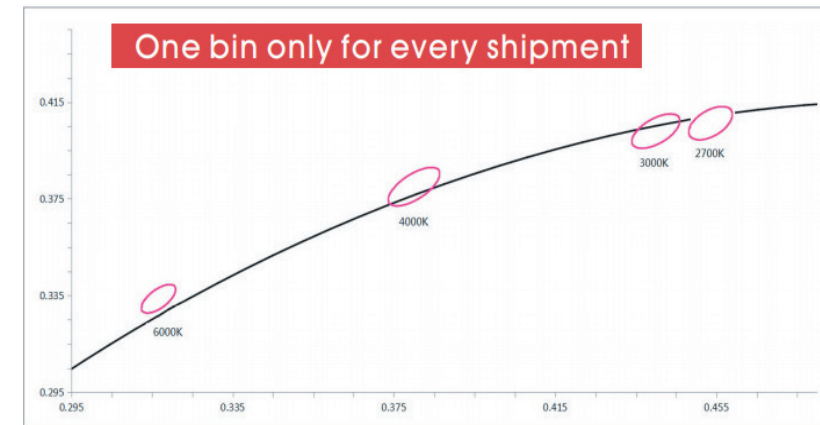
Lux			
h(m)	d(m)	Em	E <sub>max</sub>
1	0.31	10161	16897
2	0.62	2540	4224
3	0.93	1129	1877



30W 45°

Lux			
h(m)	d(m)	Em	E <sub>max</sub>
1	0.88	2539	3927
2	1.76	634.9	981.7
3	2.64	28.2	436.3

**Strip & Linear Light**



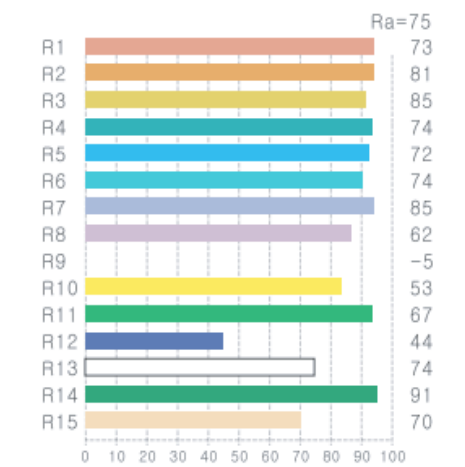
For all your order



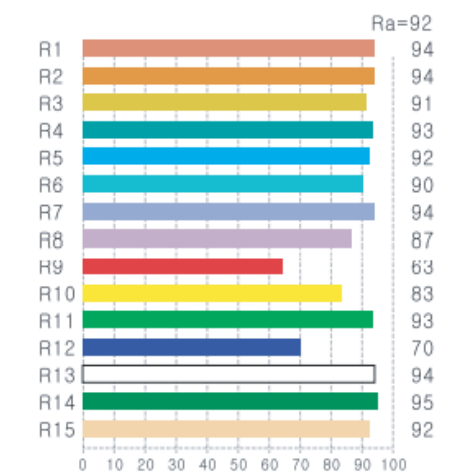
Today and tomorrow

"One Bin Only" within 3 MacAdam, |Duv|<0.006 guarantees constant color temperature.

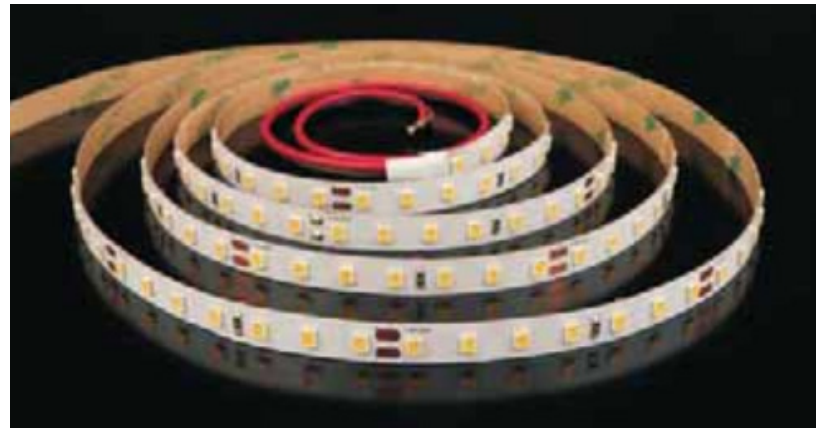
CRI>70



CRI>90



## MAGIC Strip - LED Ribbon Light

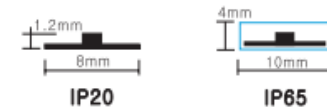
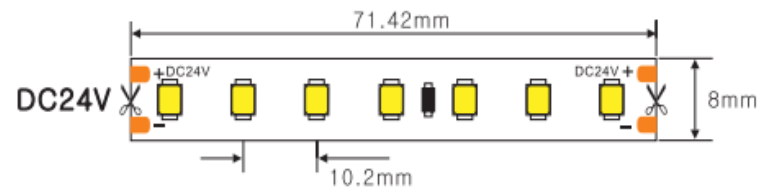


### 28535 Series

- 2835SMD 30LEDs
- 2835SMD 60LEDs **HOT**
- 2835SMD 98LEDs
- 2835SMD 120LEDs **HOT**
- 2835SMD 144LEDs Dual
- 2835SMD 240LEDs



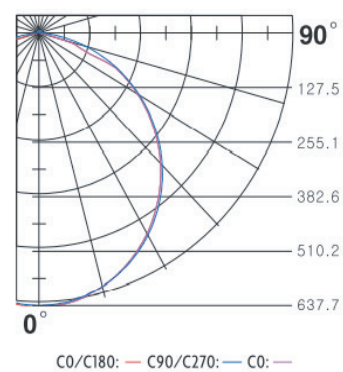
AVAILABLE in 2.5W, 4.8W, 9.6W, 14.4W, 19.2W, and 24W



### PRODUCT SPECIFICATION

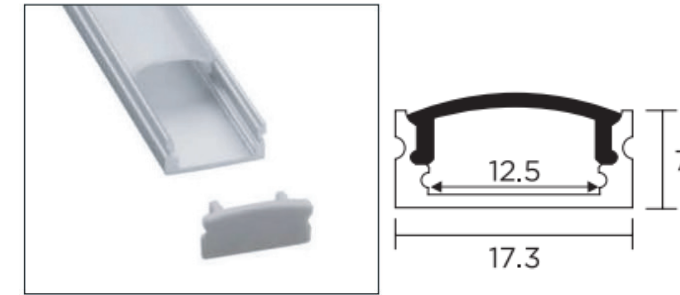
Dimension	5000mmx8mmx1.2mm
Chip density	98LED, 10.2mm LED pitch
Step LEDs	7LED
Step length	71.42mm
Power(W)	10Watt/meter
Efficacy	120.44lumen/Watt
Voltage(V)	DC24V
Current(A/m)	0.41A
Ambient temperature	-20°C~+50°C

### POLAR CURVE (The data base on IP20 6000K)

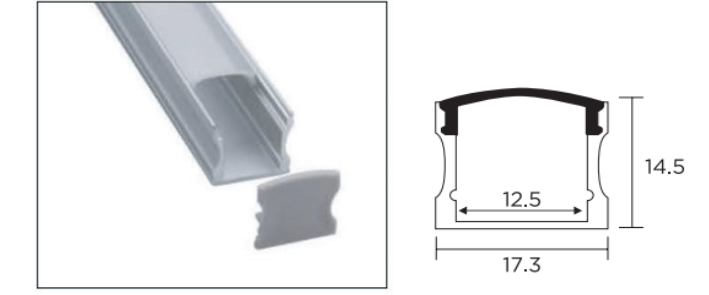


## Aluminium Profile Choices

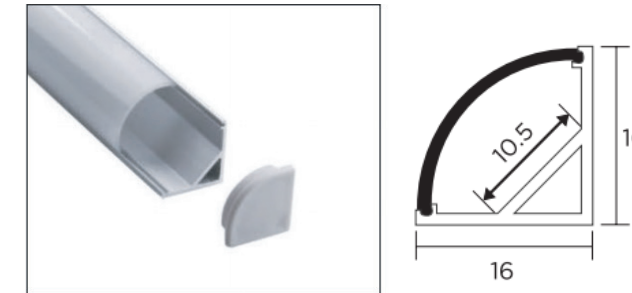
### PMS1707



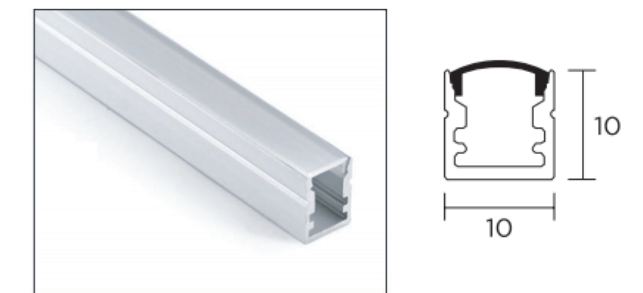
### PMS1715



### PMSC1616



### PMS1010

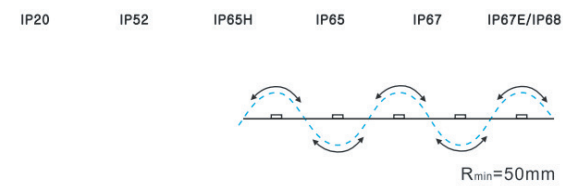
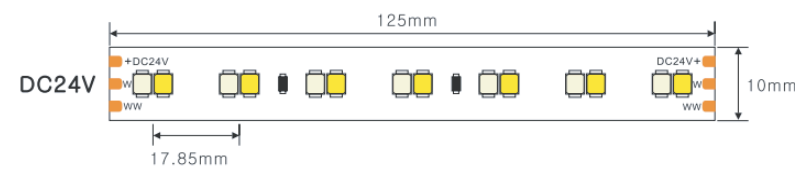
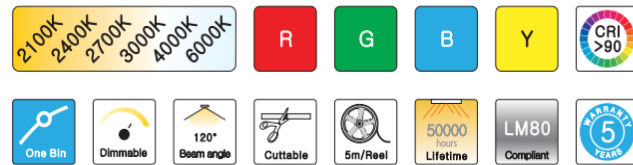




## Tunable White

### TW STRIP 2835SMD 112LEDs

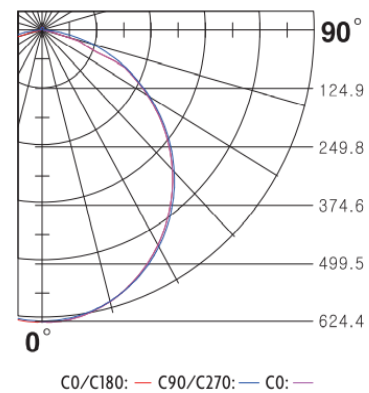
- ▶ Warm white + cool white tunable strip
- ▶ Self-encapsulated design offers optional 2100-10000K
- ▶ White lights and R/G/B/Y and others colorful lights for option
- ▶ High quality PCB, high thermal 3M adhesive
- ▶ Provide 1BIN delivery



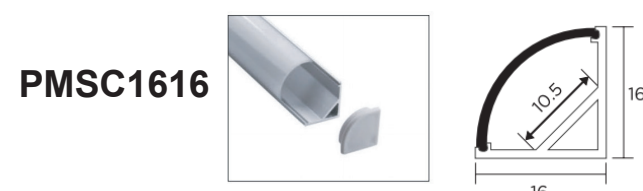
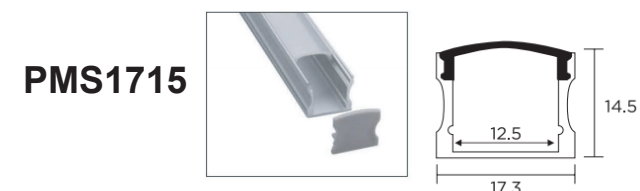
### PRODUCT SPECIFICATION

Dimension	5000mmx10mmx1.2mm
Chip density	112LED, 17.85mm LED pitch
Step LEDs	14LED
Step length	125mm
Power(W)	19.2Watt/meter
Efficacy	100.49lumen/Watt
Voltage(V)	DC24V
Current(A/m)	0.8A
Ambient temperature	-20°C~+50°C

### POLAR CURVE (The data base on IP20)



### Aluminium Profile Choices

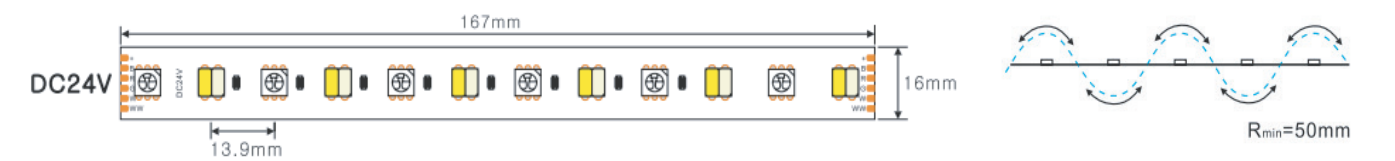


### RGB+TW 5050SMD 72LEDs

- ▶ RGB + warm white + cool white colorful strip
- ▶ High quality PCB, high thermal 3M adhesive
- ▶ Widely adaptable to all types of RGBTW controllers



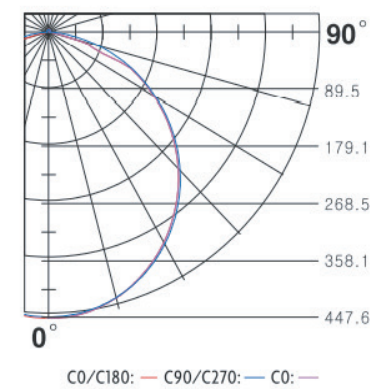
### DIMENSIONS & WATERPROOF



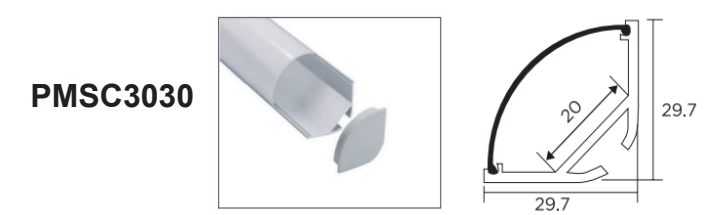
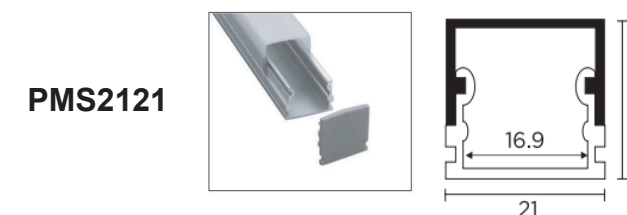
### PRODUCT SPECIFICATION

Dimension	5000mmx16mmx2mm
Chip density	72LED, 13.9mm LED pitch
Step LEDs	12LED
Step length	166.7mm
Power(W)	21Watt/meter
Efficacy	68.82lumen/Watt
Voltage(V)	DC24V
Current(A/m)	0.87A
Ambient temperature	-20°C~+50°C

### POLAR CURVE (The data base on IP20)



### Aluminium Profile Choices



## LED Neon Flex Light

### SIDE VIEW 0612 LED NEON

Regular power 5W/m and 10W/m for option

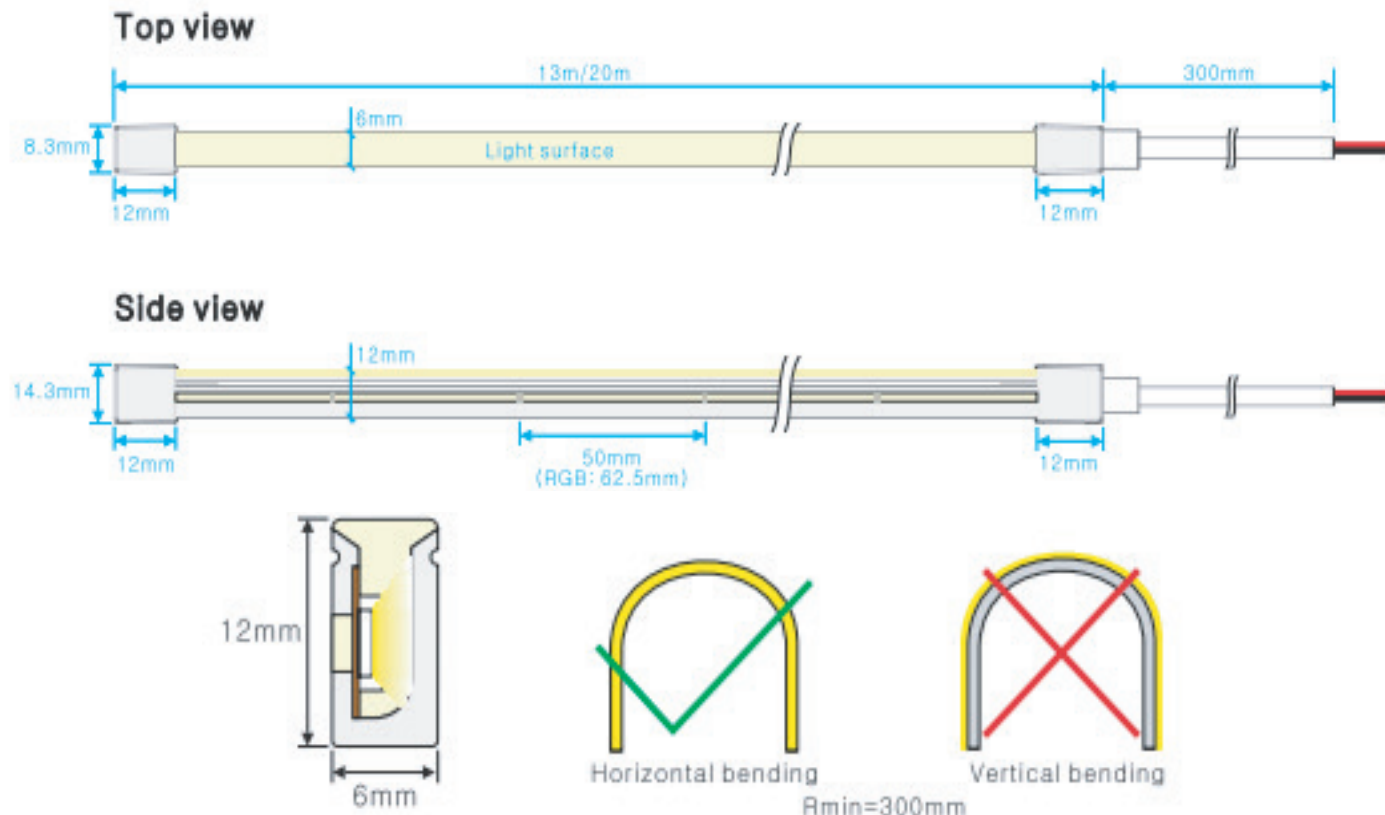
Max length 20 meters with one end power

Soldering-free end cap

Eight CCT optional from 2100K to 6150K



### DIMENSIONS & WATERPROOF



### SIDE VIEW 1220 LED NEON

Regular power 5W/m, 10W/m and 15W/m for option

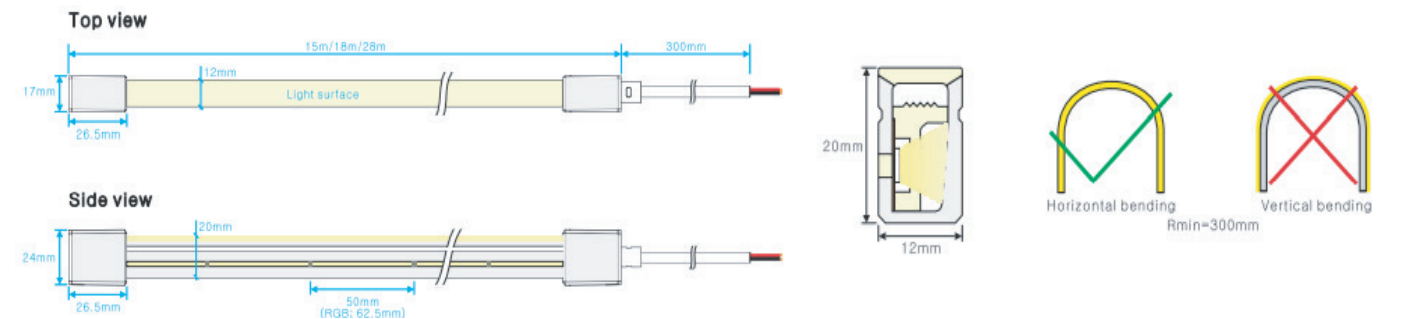
Max length 28 meters with one end power

Soldering-free end cap

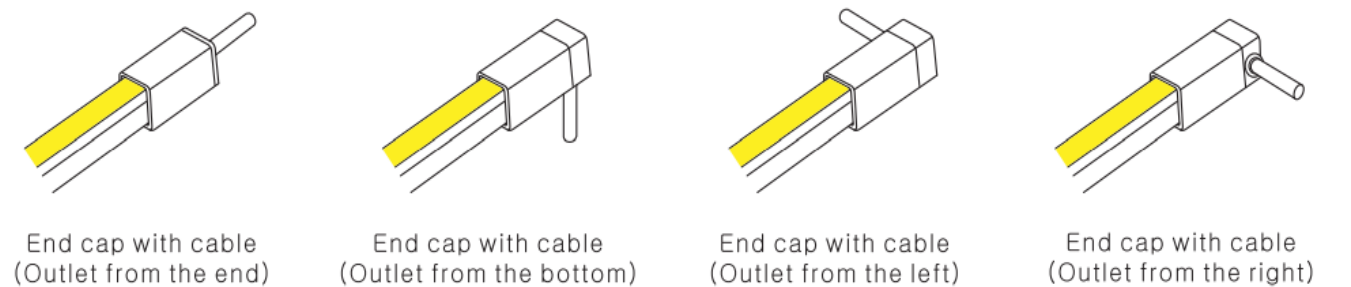
Eight CCT optional from 2100K to 6150K



### DIMENSIONS & WATERPROOF



#### Cable outlet





## TOP VIEW 1212 LED NEON

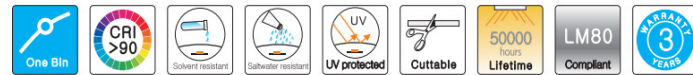
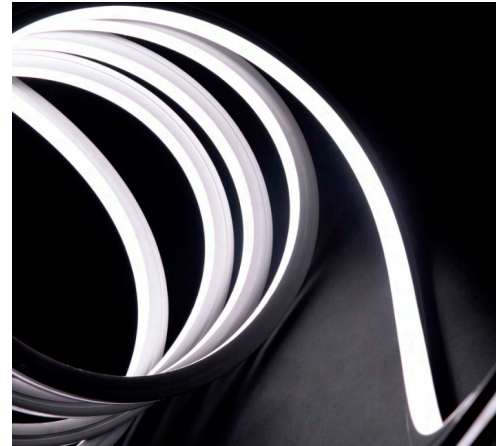
Regular power 5W/m and 10W/m for option

Max length 20 meters with one end power

Soldering-free end cap

Eight CCT optional from 2100K to 6150K

2100K 2400K 2700K 3000K 3550K 4050K 5050K 6150K  
2200K 5500K



## TOP VIEW 1615 LED NEON

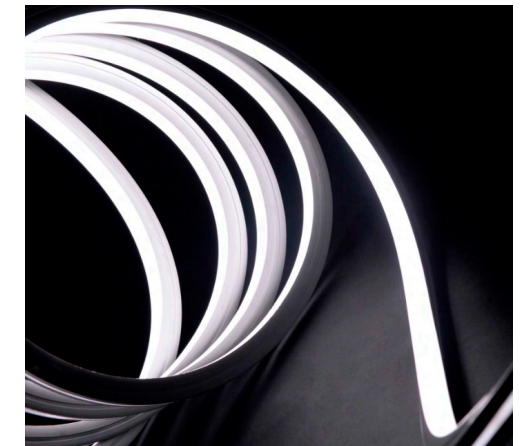
Regular power 5W/m, 10W/m and 15W/m for option

Max length 24 meters with one end power

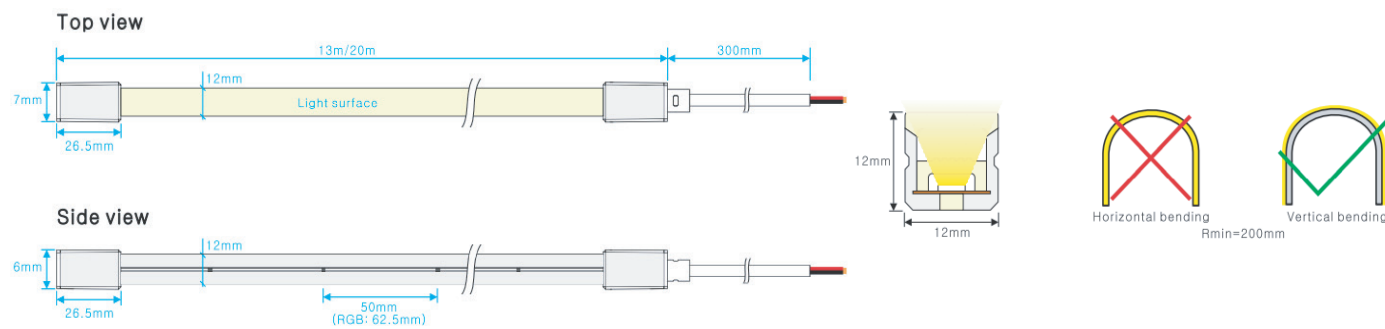
Soldering-free end cap

Eight CCT optional from 2100K to 6150K

2100K 2400K 2700K 3000K 3550K 4050K 5050K 6150K  
2200K 5500K



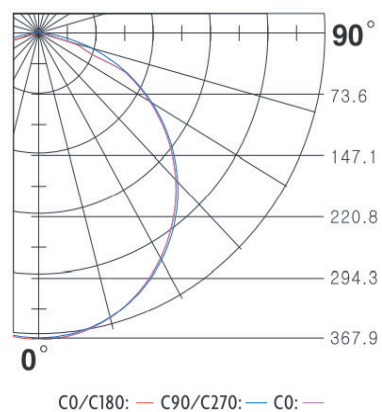
## DIMENSIONS & WATERPROOF



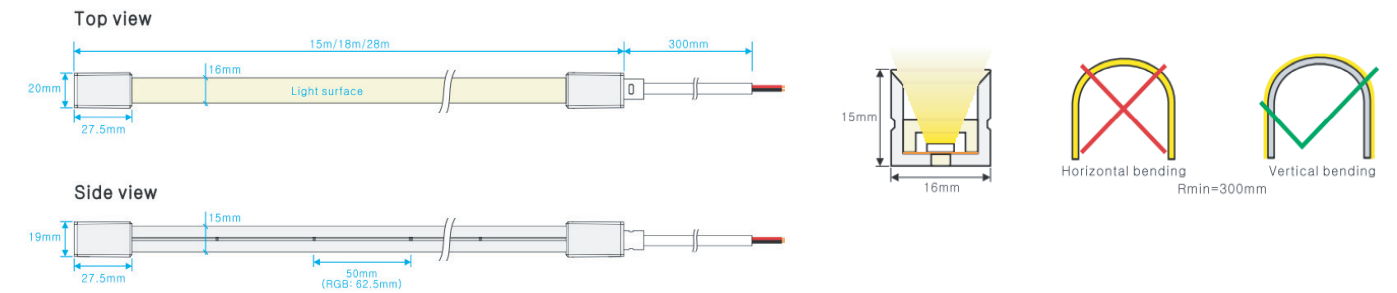
### PRODUCT SPECIFICATION

Voltage	DC24 V	
CRI/Ra	>90	
Ambient temperature	-25°C~45°C	
T1212	Low power	High power
Power(W/m)	5	10
Efficacy(lm/W)@6000K	71.8	69.2
Max Length(m)	20	13

### POLAR CURVE (The data base on 10W 6000K)



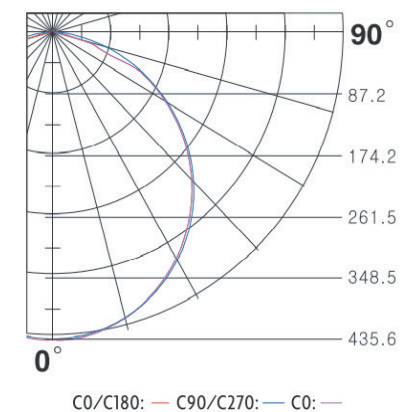
## DIMENSIONS & WATERPROOF



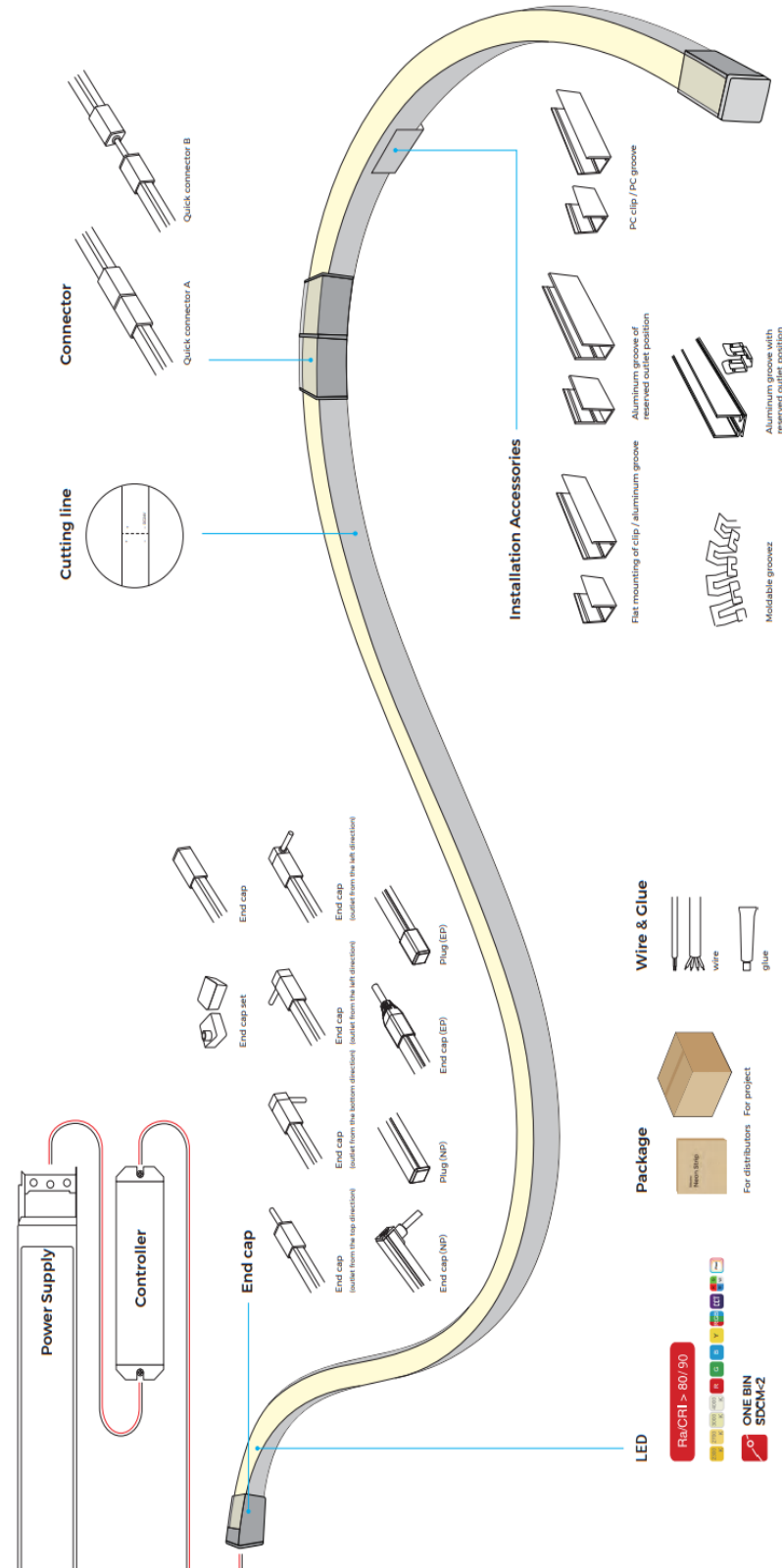
### PRODUCT SPECIFICATION

Voltage	DC24 V		
CRI/Ra	>90		
Ambient temperature	-25°C~45°C		
T1615	Low power	Medium power	High power
Power(W/m)	5	10	15
Efficacy(lm/W)@6000K	70.0	67.2	62.1
Max Length(m)	28	18	15

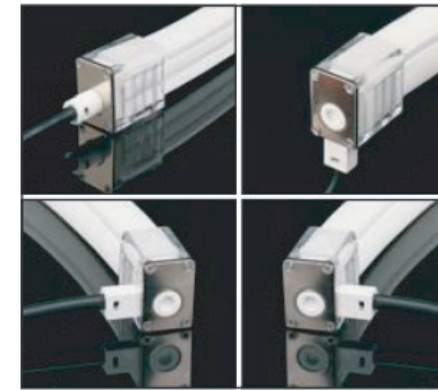
### POLAR CURVE (The data base on 15W 6000K)



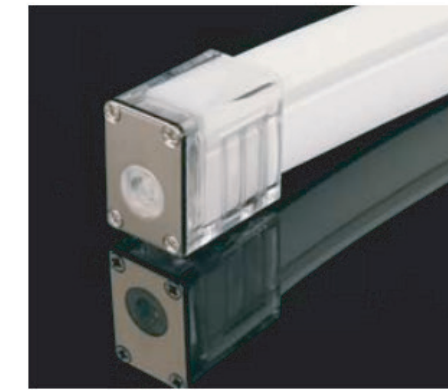
**Silicone Neon Strip Solution**



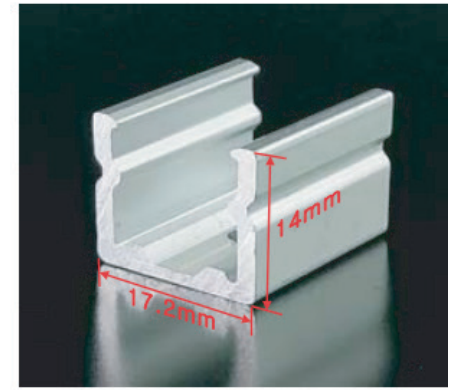
**Accessory**



Solder-free connector with cable



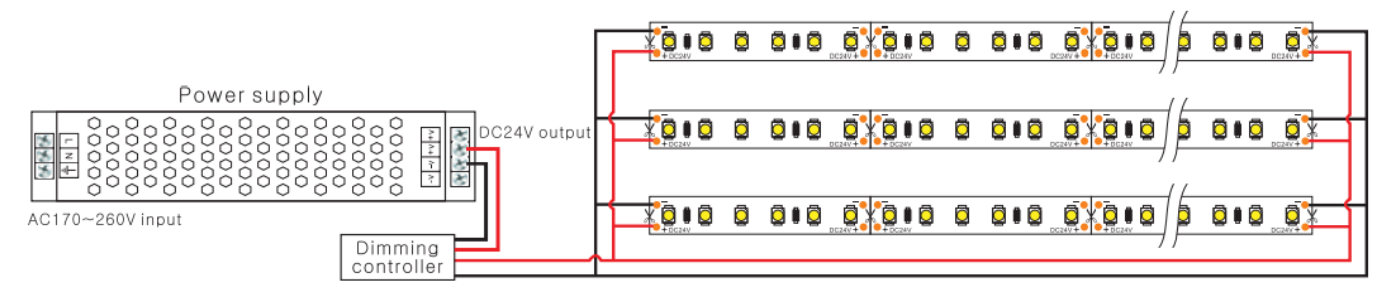
Solder-free connector without cable



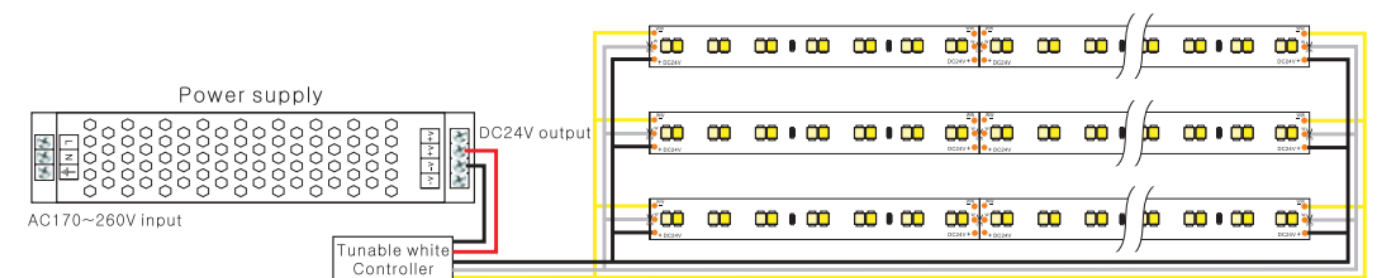
Mounting clip

**Connection diagram**

**Single color strip** (1 channel controller, SMD3528, 180LEDs, 24V, item NO.: LY180-S3528W-W24)



**Tunable white strip** (2 channels controller, SMD2835, 112LEDs, 24V, item NO.: LY112-S2835TW-W24)



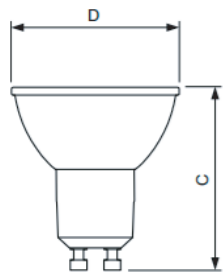


## Lamp

Signify  
PHILIPS



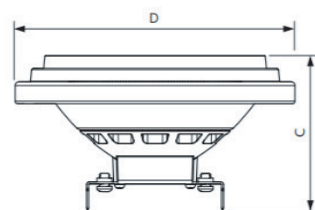
Dimensional drawing



Product	D	C
MASTER LED spot VLE D 7-80W GU10 830 36D	50 mm	54 mm
MASTER LED spot VLE D 7-80W GU10 840 36D	50 mm	54 mm
MASTER LED spot VLE D 7-80W GU10 865 36D	50 mm	54 mm
Master LED 4.9-50W GU10 940 36D Dim	50 mm	54 mm
Master LED 4.9-50W GU10 930 36D Dim	50 mm	54 mm
Master LED 4.9-50W GU10 927 36D Dim	50 mm	54 mm
MASTER LED spot VLE D 6.2-80W GU10 930 36D	50 mm	54 mm



Dimensional drawing



Product	D	C
MAS LEDspotLV D 15-75W 930 AR111 24D	111 mm	62 mm
MAS LEDspotLV D 15-75W 927 AR111 40D	111 mm	62 mm
MAS LEDspotLV D 15-75W 927 AR111 24D	111 mm	62 mm
MAS LEDspotLV D 15-75W 930 AR111 40D	111 mm	62 mm
MAS LEDspotLV D 20-100W 840 AR111 24D	111 mm	62 mm
MAS LEDspotLV D 20-100W 827 AR111 40D	111 mm	62 mm
MAS LEDspotLV D 20-100W 827 AR111 24D	111 mm	62 mm
MAS LEDspotLV D 20-100W 827 AR111 40D	111 mm	62 mm
MAS LED SpotLV 20-100W 927 AR111 40D	111 mm	62 mm
MAS LED SpotLV 20-100W 927 AR111 24D	111 mm	62 mm

## CorePro LEDcapsule LV



Dimensional drawing



Product	D	C
CorePro LEDcapsuleLV 2-20W G4 827 D	17 mm	48 mm



# TRIDONIC



### Optical properties

- Colour temperatures 2,700 K, 3,000 K and 4,000 K
- Typ. luminous flux 700 lm
- Higher CRI, typical Ra = 92
- Small colour tolerance MacAdam 3
- Beam Angle: spot degree (12° / 24°) or downlight (36°)
- Module dimension  $\varnothing 49.6 \times 75.5$  mm

### Product description

- Fits in most existing MR16 / GU10 halogen luminaires
- 10 W LED Equivalent to 50 W MR16 halogen with higher lumen output
- Perfect solution for MR16 / GU10 replacement project
- Module with integrated electronic, heatsink and optics
- Compatible with leading and trailing edge phase cut dimmers
- Dimming range 0.1 to 100 % (depends on dimmer)
- Eye-catching lens optic with mirrors halogen facettes
- Long life-time: L70B50 >50,000 h at  $t_p = 75^\circ\text{C}$

### Technical data

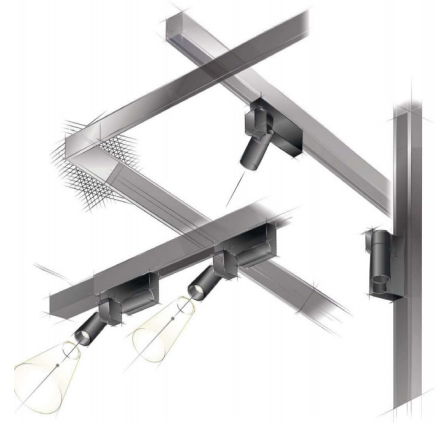
Rated supply voltage	220 – 240 V
Input voltage, AC	198 – 264 V
Mains frequency	50 / 60 Hz
Input current (at 230 V, 50 Hz)	45 mA
$\lambda$ (at 230 V, 50 Hz)	$\geq 0.9\text{C}$
THD	< 23 %
Flicker	< 20 %
Output LF current ripple (< 120 Hz)	< 20 %
Starting time (at 230 V, 50 Hz, full load)	$\leq 0.5$ s
Ambient temperature $t_a$	-20 ... +40 °C
$t_p$ rated	75 °C
$t_c$	90 °C
ESD classification	severity level 2
Risk group (IEC 62471)	RG1
Classification acc. to IEC 62031	Built-in
Type of protection	IP20







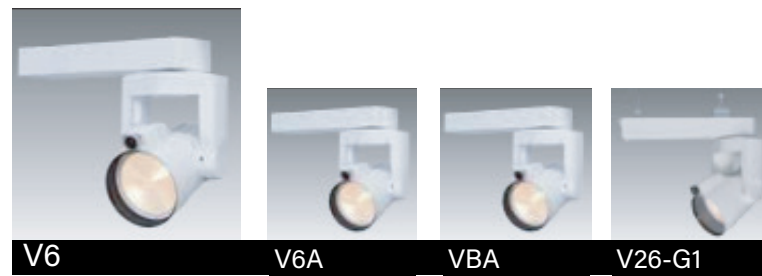
# Smart Lighting



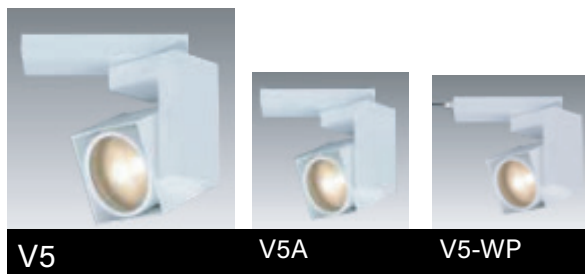
SALIOT BRAND NEW  
MS-P2 series



V2 V2A



V6 V6A VBA V26-G1



V5 V5A V5-WP



V4 V7



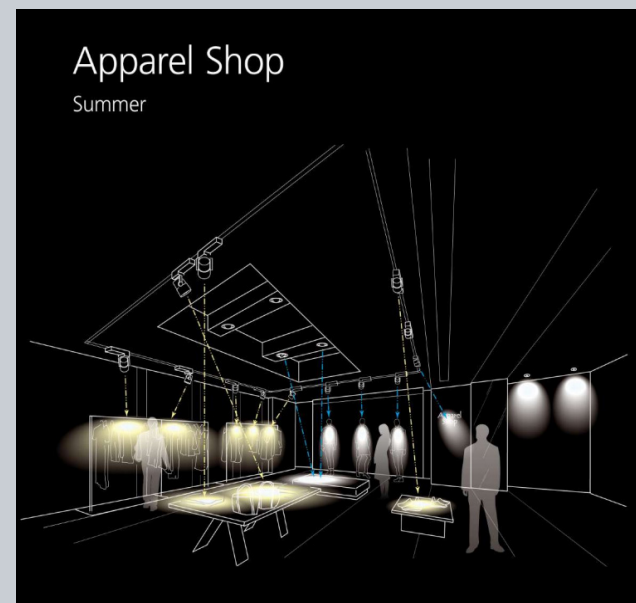
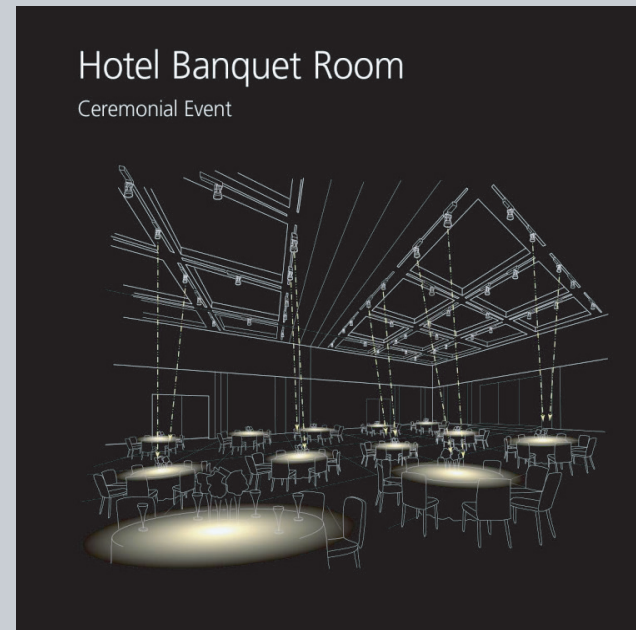
MS-V4 Series



MS-V2 Series



MS-V1 Series



## Decorative Architectural Lighting

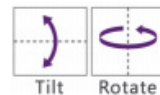


**IL-9999A**

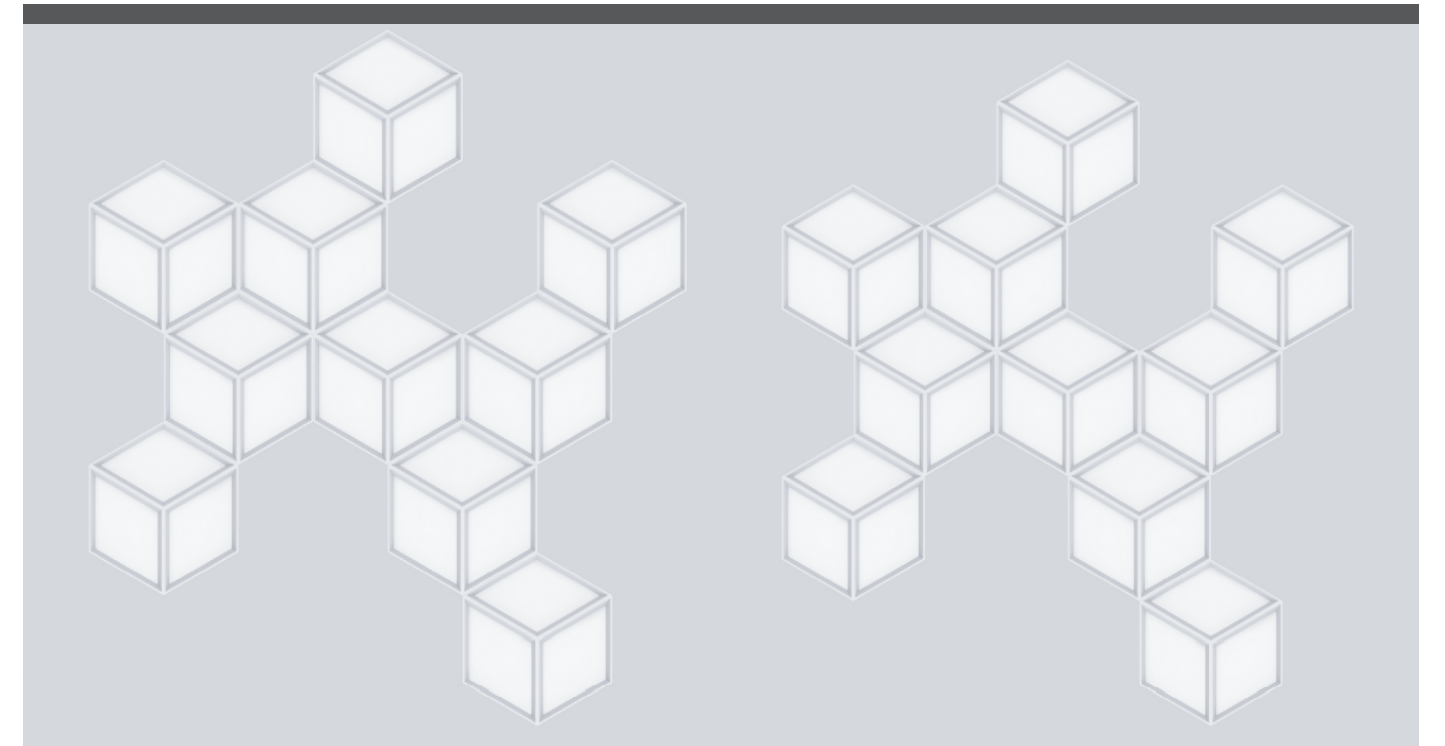
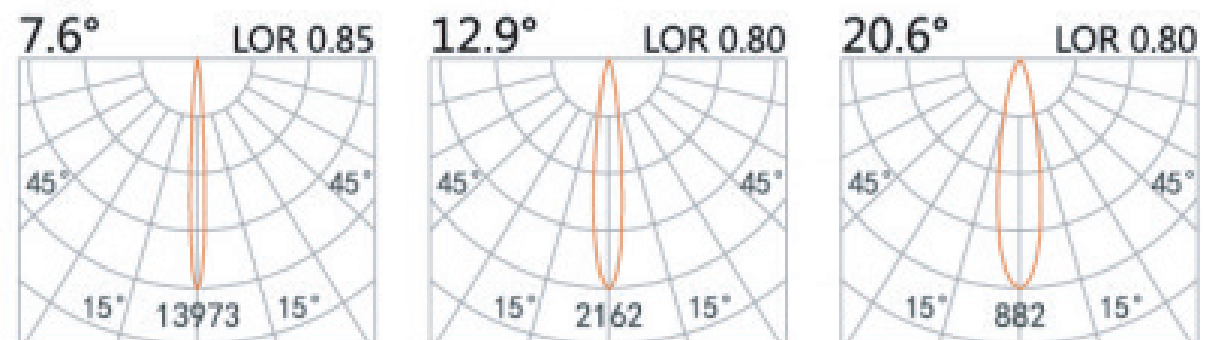
LED Power 8W

Colour Temp  
 2700/3000K  
 4000/5000K

Luminous  
 651lm  
 703lm



Light distribution for **3000k**



**IL-9863A**

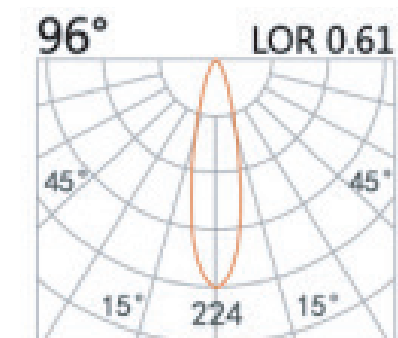
LED Power



Colour Temp  
 2700/3000K  
 4000/5000K

Luminous  
 828lm  
 828lm

Light distribution for **3000k**

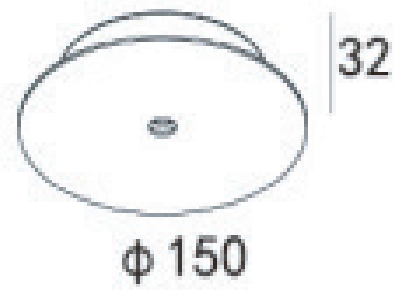






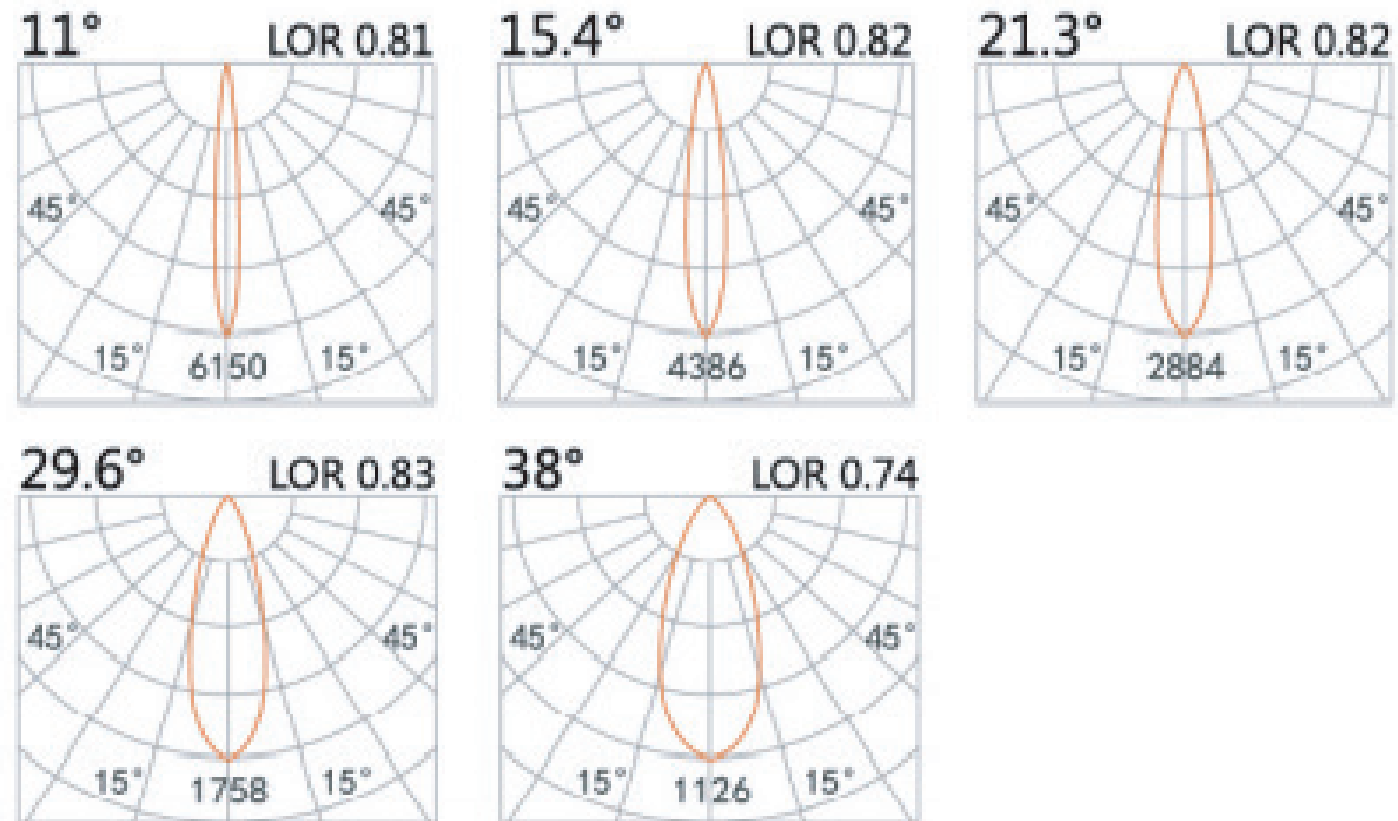
**IL-9481A**

LED Power 8.4W



Colour Temp	Luminous
2700/3000K	651lm
4000/5000K	703lm

Light distribution for 3000k

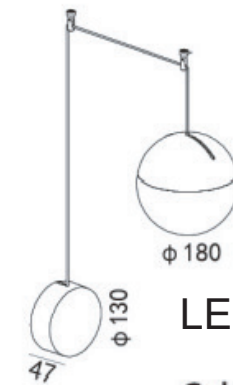
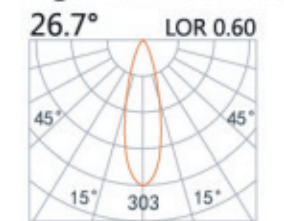


**IL-9181A**

LED Power 2.1W

Colour Temp	Luminous
2700/3000K	102lm
4000/5000K	102lm

Light distribution for 3000k

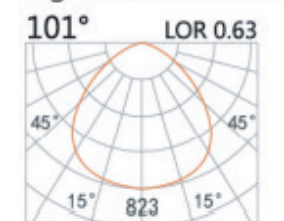


**IL-9431A**

LED Power

Colour Temp	Luminous
2700/3000K	3132lm
4000/5000K	3483lm

Light distribution for 3000k

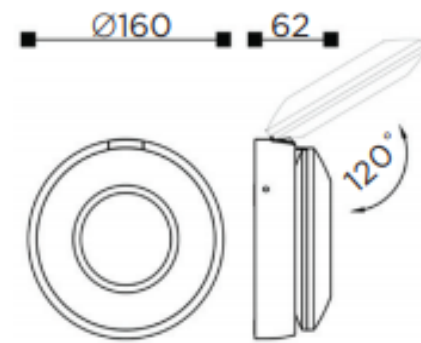




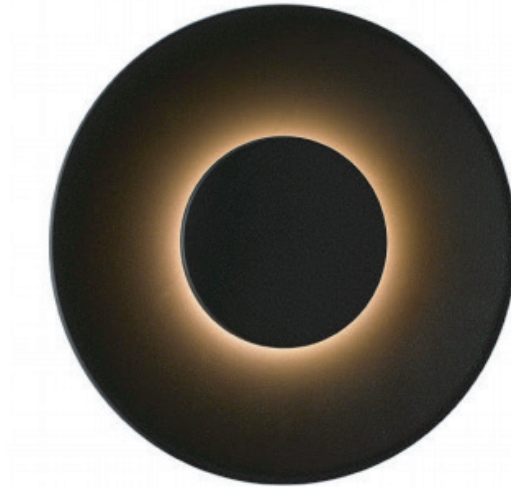
IL - BIVIA



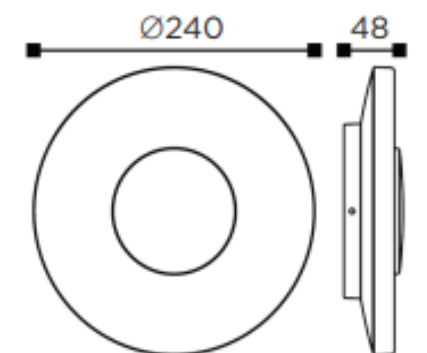
Dimension : (mm)



IL - FOSTER



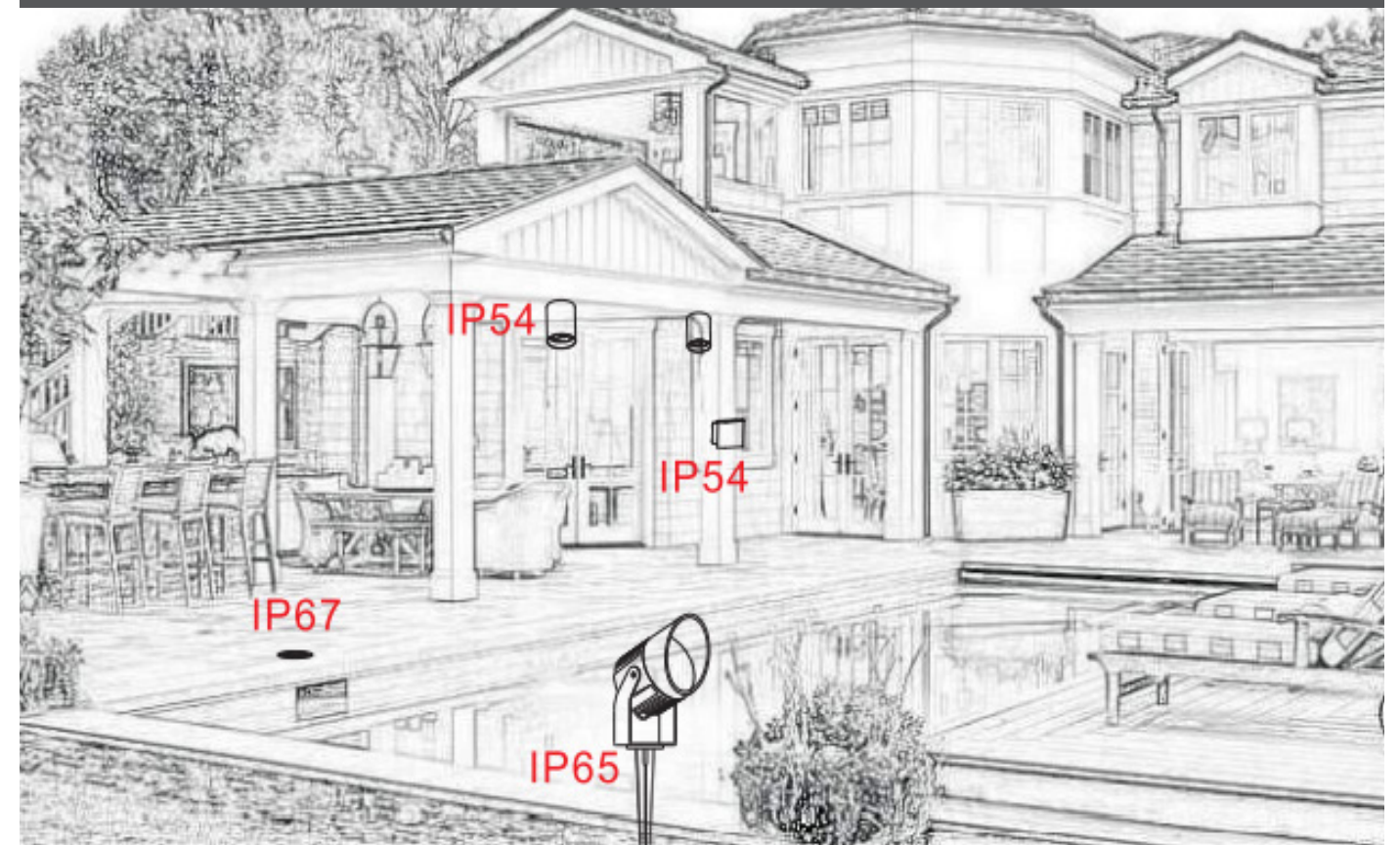
Dimension : (mm)



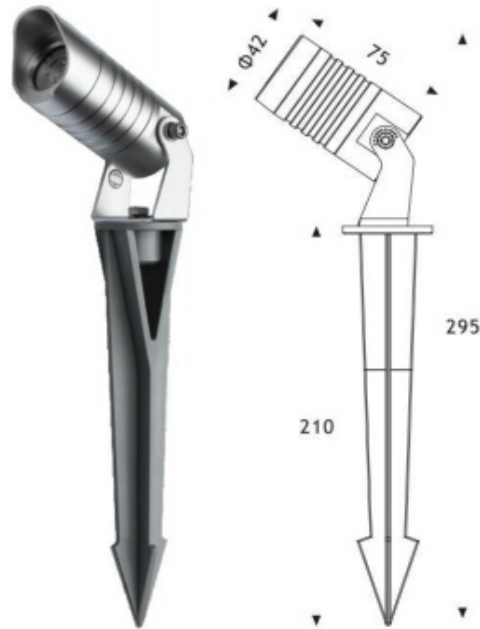


# Exterior Lighting

## 02 Exterior Lighting

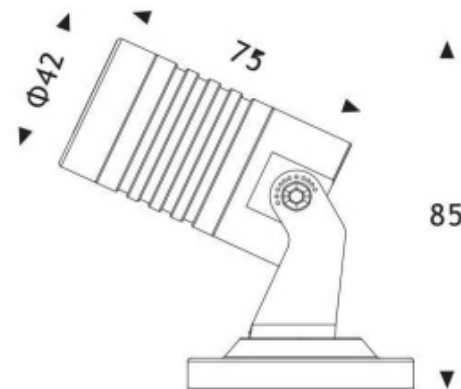


## Uplight



### Material Specifications

LED	CREE /OSRAM or EPISTAR LED
Housing	Machining 6063# aluminum Matt Silver/Black Anodized finish
Lens	Optical lens,efficiency≥90%
Glass	Tempered glass. T=4mm
Bracket	Powder coated Die-casting aluminum
Cable Gland	IP68 copper and nickel coated
Gasket	Tooling shaped seal
Spike	ABS
Power Cable	0.5m H05RN-F2x1.0mm2(Low Voltage) 0.5m H05RN-F3x0.75mm2(High Voltage) 0.5m H05RN-F5x0.5mm2(RGB 3 in 1, RGBW 4 in 1)
Working Temperature	-30 to 50°C
Mounting Base	Powder coated Die-casting aluminum

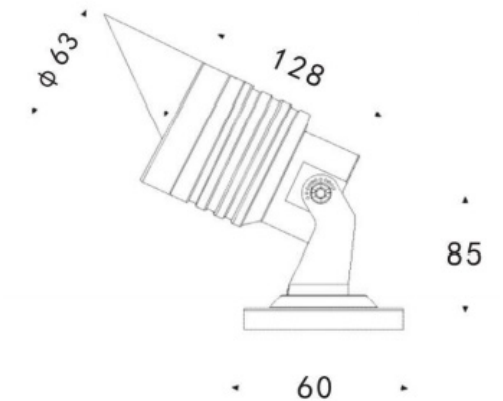


Item No.	Light Source	LED Power	Input Volt	Lens Degree	LED Color	IP	IK
IL-3006	CREE /OSRAM LED	1*2W	24V DC 120V/240V AC	15°/30°/45°/60°	2700K-6500K /R/G/B	66	07
IL-3008	EPISTAR LED	1*3W	24V/12V DC		RGB 3 in 1, DMX512		



### Material Specifications

LED	CREE COB
Housing	Machining 6063# aluminum Matt Silver/Black Anodized finish
Lens	Optical lens,efficiency≥90%
Glass	Tempered glass. T=4mm
Bracket	Powder coated Die-casting aluminum
Cable Gland	IP68 copper and nickel coated
Gasket	Tooling shaped seal
Spike	ABS
Power Cable	0.5m H05RN-F2x1.0mm2(Low Voltage) 0.5m H05RN-F3x0.75mm2(High Voltage) 0.5m H05RN-F5x0.5mm2(RGB 3 in 1, RGBW 4 in 1)
Working Temperature	-30 to 50°C
Mounting Base	Powder coated Die-casting aluminum



Item No.	Light Source	LED Power	Input Volt	Lens Degree	LED Color	IP	IK
IL-3023	CREE COB	1*6W	24V/12V DC 120V/240V AC	18°/24°/38°/60°	2700K-6500K /R/G/B	66	07
IL-3025			24V/12V DC	30°	RGB 4 in 1, DMX512		



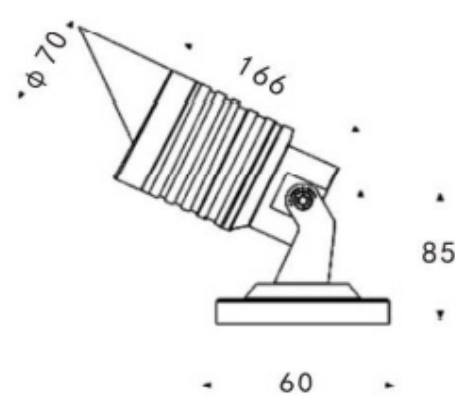


**Material Specifications**

LED	CREE COB
Housing	Machining 6063# aluminum Matt Silver/Black Anodized finish
Lens	Optical lens, efficiency ≥ 90%
Glass	Tempered glass. T=4mm
Bracket	Powder coated Die-casting aluminum
Cable Gland	IP68 copper and nickel coated
Gasket	Tooling shaped seal
Spike	ABS
Power Cable	0.5m H05RN-F2x1.0mm <sup>2</sup> (Low Voltage) 0.5m H05RN-F3x0.75mm <sup>2</sup> (High Voltage) 0.5m H05RN-F5x0.5mm <sup>2</sup> (RGB 3 in 1, RGBW 4 in 1)
Working Temperature	-30 to 50°C
Mounting Base	Powder coated Die-casting aluminum



Code	Material	Power	Light source chip	Waterproof level	Exterior color	Luminous color	Input voltage
IL-1002	All aluminum	12W	COB	IP67	Grey	3000K	AC200V DC24V



Item No.	Light Source	LED Power	Input Volt	Lens Degree	LED Color	IP	IK
IL-B0120	CREE COB	1*12W	24V/12V DC 120V/240V AC	18°/24°/38°/60°	2700K-6500K /R/G/B	66	07

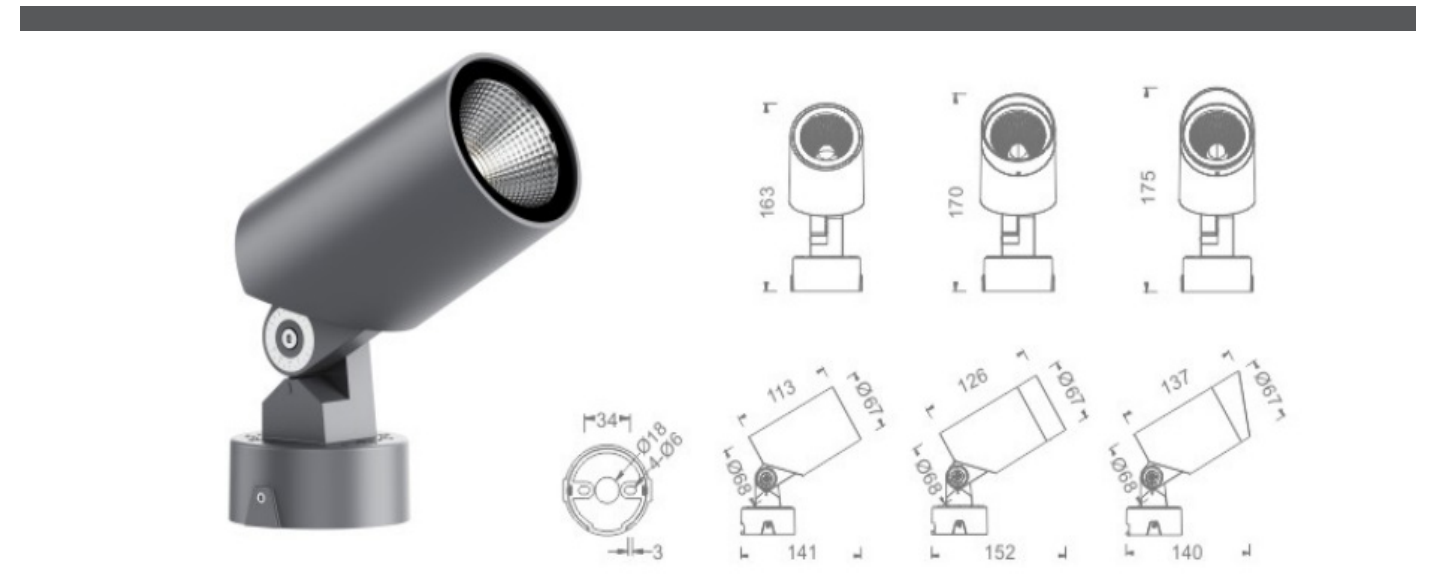
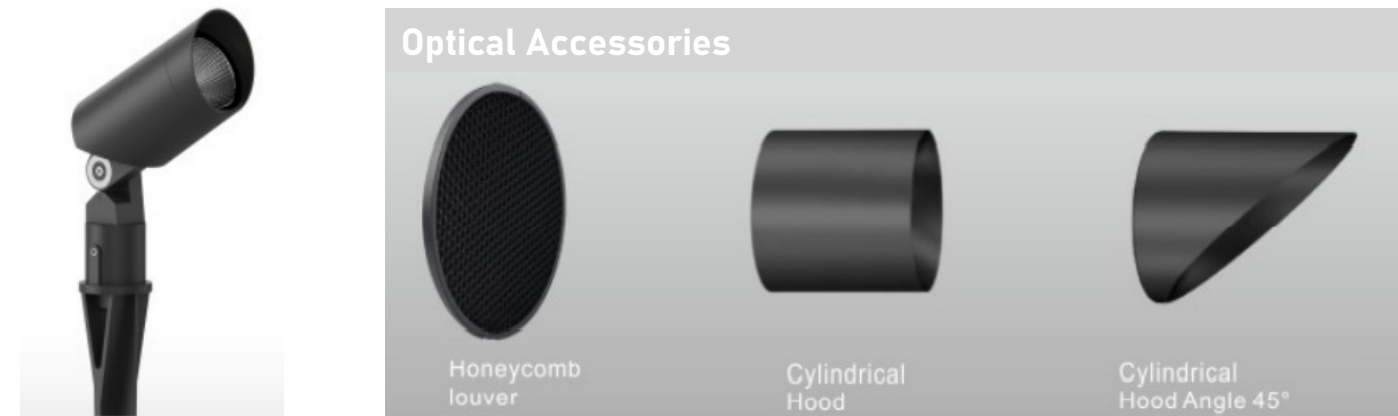
Code	Material	Beam Angle	Power	Light source chip	Waterproof level	Exterior color	Luminous color	Input voltage
IL-1005	All aluminum	20-60°	7/12/20W	COB	IP65	Sand black	3000K	AC200V DC24V



**Features**

- Graduations for adjustability
- Vertical Tiltable
- Hinge lockable
- Mounting plate rotatable 355°
- High colour rendering index
- Excellent thermal management
- Dimmable versions available
- Optional housing colours

**Optical Accessories**

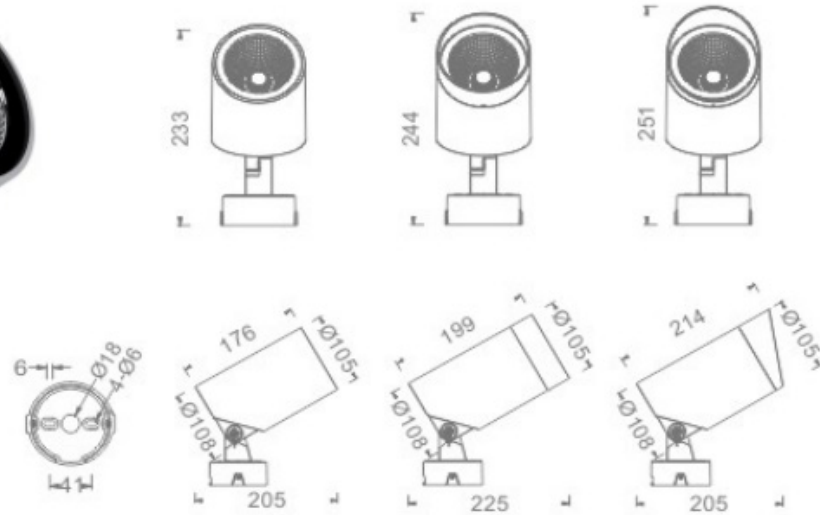


MODEL NO.	POWER	LED QTY.	LED BRAND	LED COLOR	LUMENS	BEAM ANGLE	INPUT VOLT
IL-D680108	8W	1PCS	CREE /CITILED	2700-6000K	640lm 680lm	10°/15°/23°/38°/60°	AC220V
IL-D680110	10W				750lm 800lm		
IL-D680112	12W				900lm 960lm		DC24V

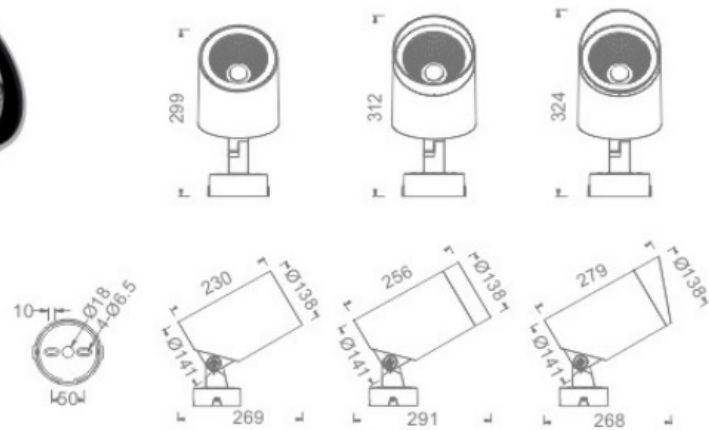


MODEL NO.	POWER	LED QTY.	LED BRAND	LED COLOR	LUMENS	BEAM ANGLE	INPUT VOLT
IL-D860115	15W	1PCS	CREE /CITILED	2700-6000K	1200lm 1275lm	10°/15°/23°/38°/60°	AC220V
IL-D860120	20W				1500lm 1600lm		
IL-D860118	18W				1350lm 1440lm		DC24V
IL-D860124	24W				1920lm 2040lm		





MODEL NO.	POWER	LED QTY.	LED BRAND	LED COLOR	LUMENS	BEAM ANGLE	INPUT VOLT
IL-D1080125	25W	1PCS	CREE /CITILED	2700-6000K	2000lm 2125lm	10°/15°/23°/38°/60°	AC110V /AC220V
IL-D1080130	30W		CREE /CITILED		2250lm 2400m		AC110V /AC220V /DC24V
IL-D1080136	36W		CREE /CITILED		2700lm 2880lm		DC24V



MODEL NO.	POWER	LED QTY.	LED BRAND	LED COLOR	LUMENS	BEAM ANGLE	INPUT VOLT
IL-D1400140	40W	1PCS	CREE /CITILED	2700-6000K	3200lm 3400lm	10°/15°/23°/38°/60°	AC110V /AC220V
IL-D1400145	45W		CREE /CITILED		3375lm 3600lm		DC24V
IL-D1400148	48W		CREE /CITILED		3840lm 4080lm		
IL-D1400154	54W		CREE /CITILED		4050lm 4320lm		



Aluminum / SUS316



Model	LED	CCT 3000K	Lens	Power supply unit
IL - 0041A	2W	211lm	16.9°/20.8°/22.6°/27.8°	Integrated

Light distribution

Beam Angle	LOR	Beam Angle	LOR	Beam Angle	LOR	Beam Angle	LOR
16.9°	0.52	20.8°	0.58	22.6°	0.54	27.8°	0.50



Model	LED	CCT 3000K	Lens	Power supply unit
IL - 0042A	4W	374lm	11.6°/15.3°/21.2°/27.4°	Integrated

Light distribution

Beam Angle	LOR	Beam Angle	LOR	Beam Angle	LOR	Beam Angle	LOR
11.6°	0.76	15.3°	0.78	21.2°	0.73	27.4°	0.68



Model	LED	CCT 3000K	Lens	Power supply unit
IL - 0043A	6.3W	580lm	15.1°/25.0°/33.7°	Integrated

Light distribution

Beam Angle	LOR	Beam Angle	LOR	Beam Angle	LOR
15.1°	0.54	25.0°	0.47	33.7°	0.32



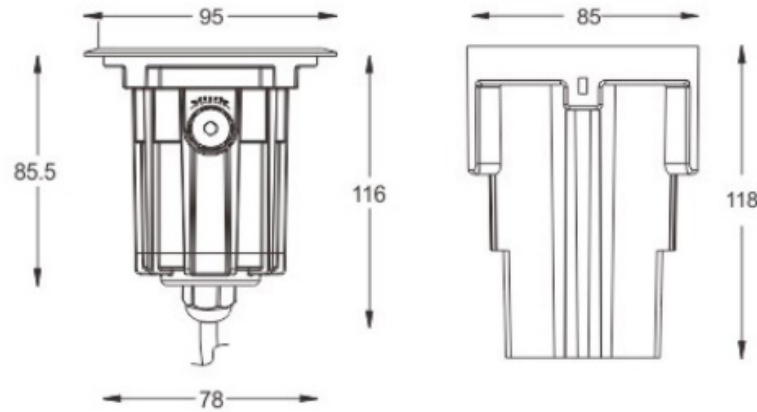
CREE COB+LENS

**Features**

Horizontal Adjustable  $\pm 25^\circ$   
Graduations for adjustability



Angle Adjustable:  $\pm 25^\circ$

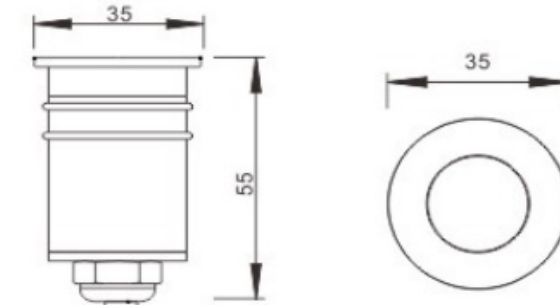


MODEL NO.	POWER	LED COLOR	INPUT VOLT	LENS DEGREE	SIZE	CUT OUT
IL-BDA0103	1*3W	2700K-6500K/R/G/B	12V/24V DC 240V/120V AC	8°/15°/30°/ 40°/60°	95*116mm	85mm
		RGB 3in1 DMX512	24V DC			
IL-BDA0104	1*4W	RGBW 4in1 DMX512				

**Material Specifications**

LED:CREE or EPISTAR LED.  
Housing:12#ADC Die-casting powder coated aluminum.T=60-80um.Adhesion of ISO class 1/ASTM class48.  
Front Cover:SUS316#Stainless Steel---Hard Chromeplated.  
Lens:Optical lens,efficiency $\geq 90\%$ .  
Glass:Tempered glass.T=8mm.  
LED Driver:KGP-TUV & UL Certified.  
Gland:IP68 PVC.  
Gasket:Tooling shaped double silicone seal.  
Power Cable:H05RN-F 2X1.0mm<sup>2</sup>L=0.5M(low voltage).H05RN-F 3x0.75mm<sup>2</sup>L=0.5M(high voltage).H05RN-F 5x0.75mm<sup>2</sup>L=0.5M(RGB DMX512).  
H05RN-F 5x0.75mm<sup>2</sup>L=0.5M(RGBW DMX512).  
Mounting Sleeve:ABS.  
Working Temperature:-20 to 40°C.

**Optical Accessories**



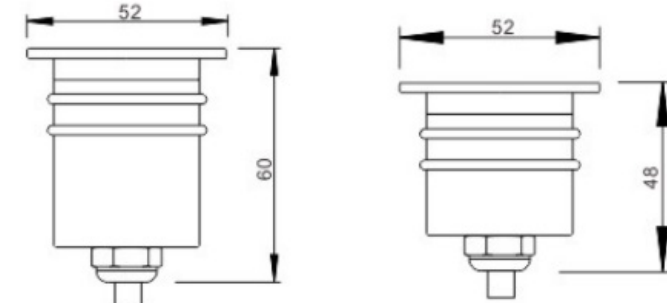
12V/24V

Physical Dimension(MM)



Mounting sleeve

MODEL NO.	POWER	LED COLOR	INPUT VOLT	LED LUMENS	BEAM ANGLE	CUT OUT
IL-UPL0112A	1W	2700K/3000K /4000K	12V/24V DC	120lm	25°/40° /60°	D30
IL-UPL0112B						
IL-UPL0112C						



12V/24V

Physical Dimension(MM)

700mA



Mounting sleeve

MODEL NO.	POWER	LED COLOR	INPUT	LED LUMENS	BEAM ANGLE	CUT OUT
IL-UPL0312A	2W	2700K/3000K /4000K	12V/24V DC	200lm	10° / 15° / 21° 36° / 60°	D40
IL-UPL0312B						
IL-UPL0312C						
IL-UPL0311A	3W		700mA	250lm		
IL-UPL0311B						
IL-UPL0311C						

**Material Specifications**

LED:CITIZEN or CREE COB .  
Housing:12#ADC Die-casting powder coated aluminum.T=60-80um.Adhesion of ISO class 1/ASTM class48.  
Front Cover:316#Stainless Steel---Hard Chromeplated.  
Lens:Optical lens,efficiency $\geq 90\%$ .  
Glass:Tempered glass.T=8mm.  
Driver:Constant current output,Constant current output.  
Gland:IP68 PVC.  
Gasket:Tooling shaped double silicone seal.  
Power Cable:H05RN-F 2X1.0mm<sup>2</sup>L=0.5M(low voltage).

**Optional Model**

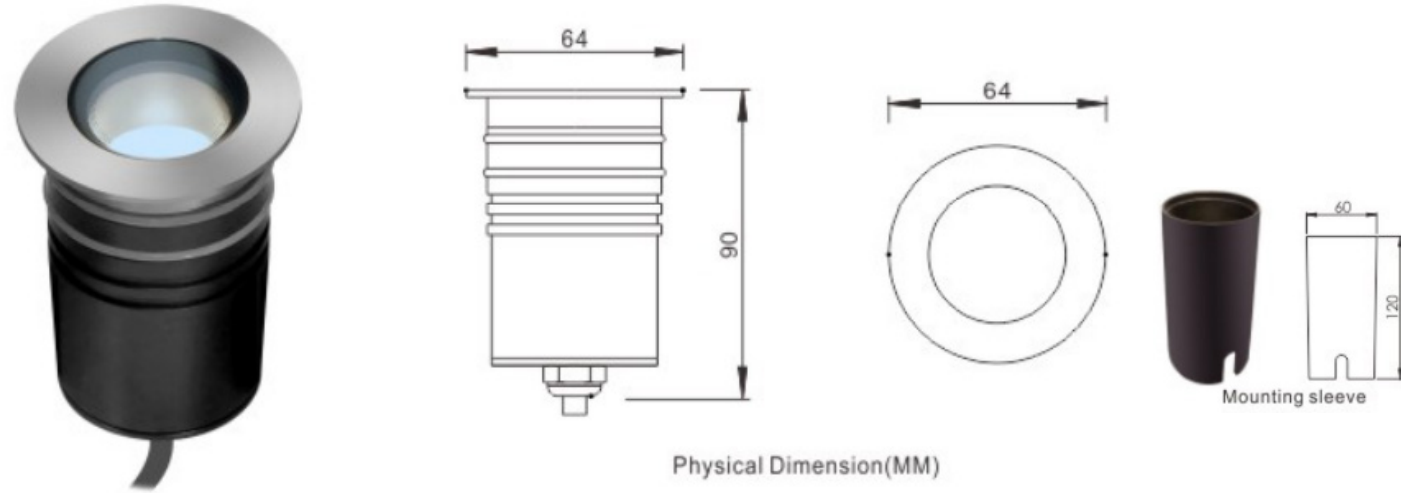


IL-UPL0312B



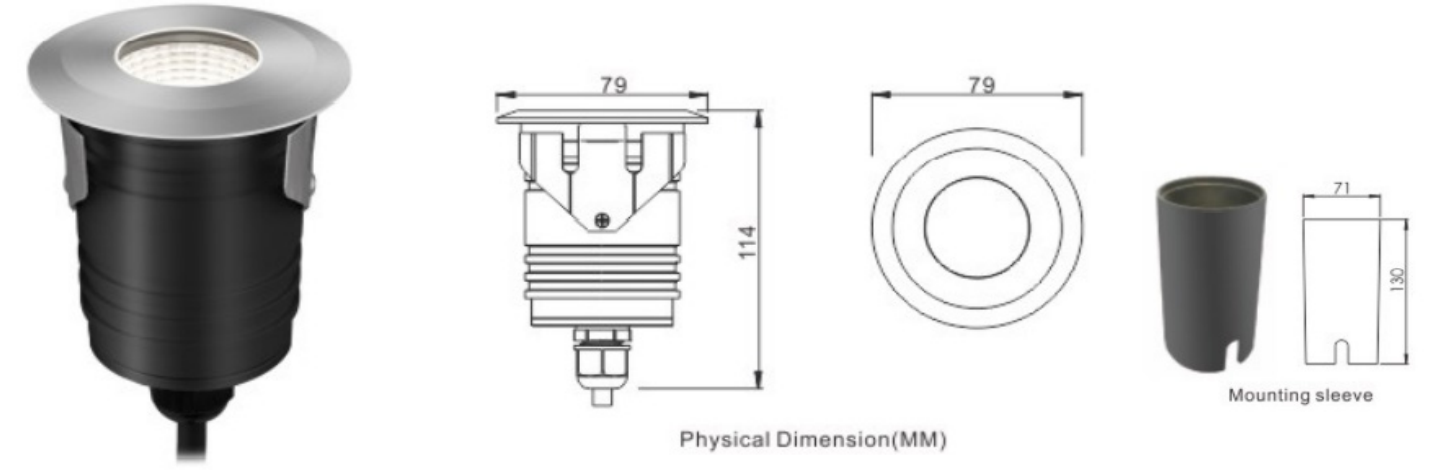
IL-UPL0312C





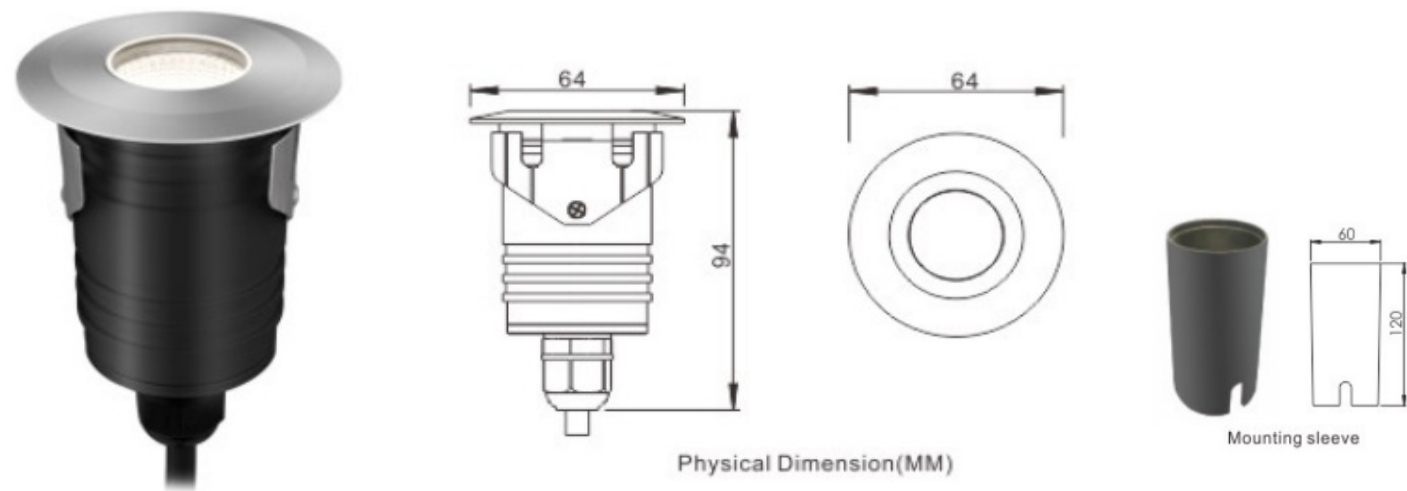
Physical Dimension(MM)

MODEL NO.	POWER	LED COLOR	INPUT VOLT	LED LUMENS	BEAM ANGLE	CUT OUT
IL-UPL0412A	4W	2700K/3000K /4000K	12V/24V DC	350lm	3° / 6° / 10° / 20° / 40°	D52
IL-UPL0412B						
IL-UPL0412C						



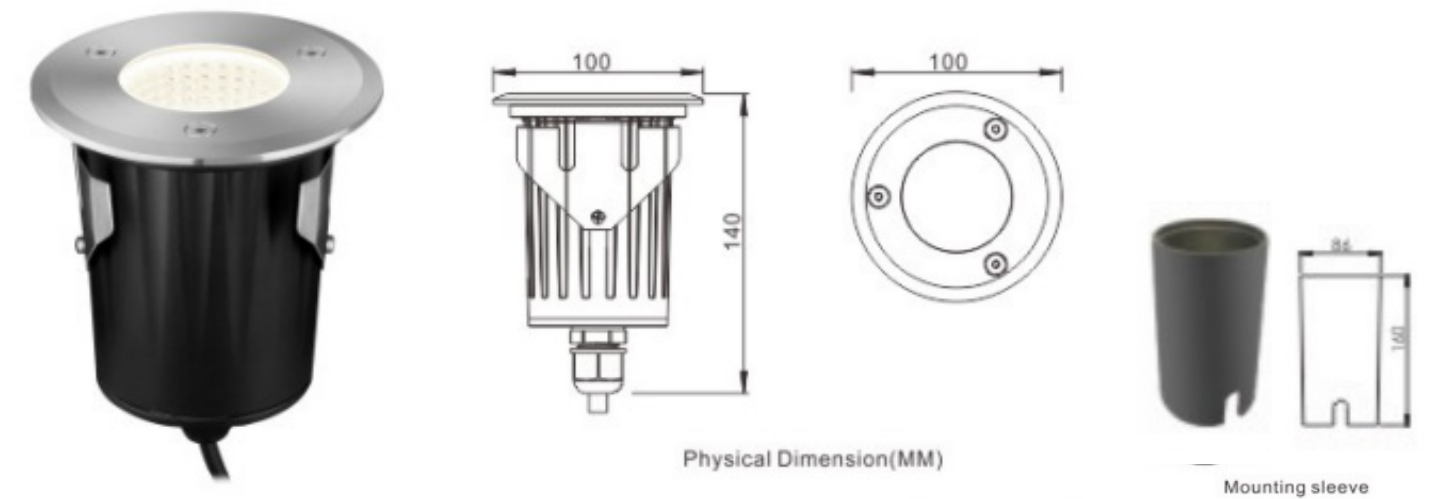
Physical Dimension(MM)

MODEL NO.	POWER	LED COLOR	INPUT VOLT	LENS DEGREE	SIZE	CUT OUT
IL-UPL0902A	1*9W	3000K/4000K/5000K	12V/24V AC/DC	20° / 30° / 38°	79*114mm	65mm
IL-UPL0902B						



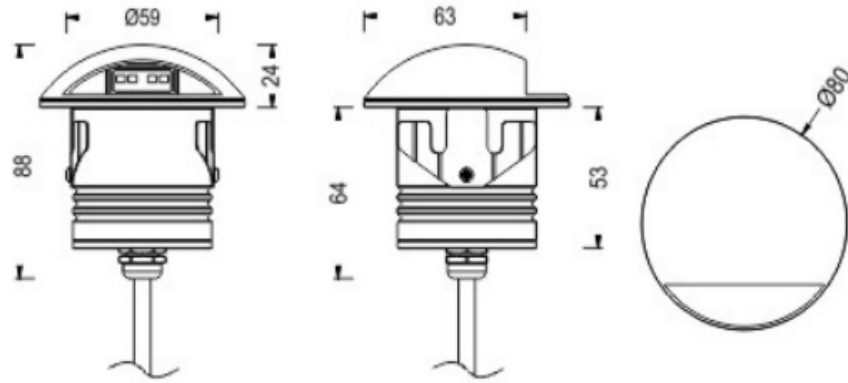
Physical Dimension(MM)

MODEL NO.	POWER	LED COLOR	INPUT VOLT	LENS DEGREE	SIZE	CUT OUT
IL-UPL0501	1*5W	3000K / 4000K / 5000K	12V/24V AC/DC	24°/40°/60°	64*94mm	51mm
IL-UPL0301	1*3W	3000K/4000K/5000K /R/G/B		20°/40°/60°		



Physical Dimension(MM)

MODEL NO.	POWER	LED COLOR	INPUT VOLT	LENS DEGREE	SIZE	CUT OUT
IL-UPL1501A	1*15W	3000K/4000K/5000K	24V AC/DC	15°/24°/38°/60°	100*140mm	D85mm
IL-UPL1501B						



Physical Dimension(MM)

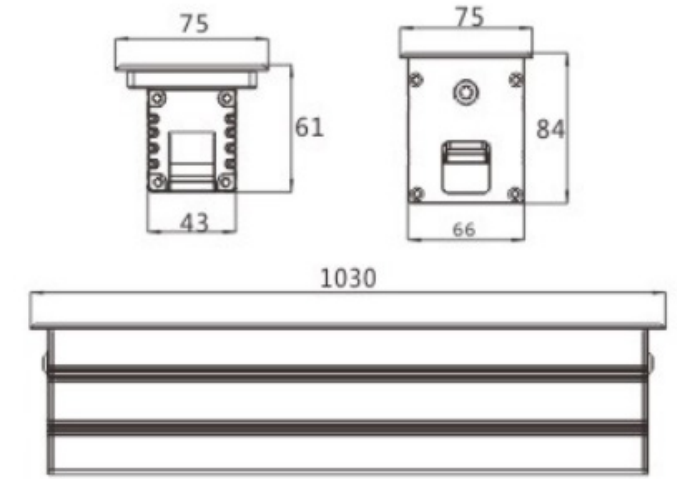
MODEL NO.	POWER	LED QTY.	LED COLOR	INPUT VOLT	LENS DEGREE	SIZE
IL-SIG8003H	3W	4PCS	2700K-6500K	AC220V	1 Side Emitting Holes 60°*10°	Ø80*88
IL-SIG8004H	4W	8PCS			2 Side Emitting Holes 60°*10°	
IL-SIG8006H	6W				4 Side Emitting Holes 60°*10°	

**Lighting Effect**



**Material Specifications**

LED:OSRAM.  
Front cover :Stainless steel SUS304#  
Housing:12# Die-casting grey powder coated aluminum.T=60-80)  
Adhesion of ISO class 1/ASTM class 4B high temperature painting  
Driver:Constant current output,Constant current output  
Glass:Step tempered glass  
Power Cable:H05RN-F 3\*1.0mm<sup>2</sup> (low voltage).



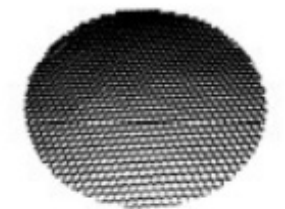
1M/ 0.5M/0.3M Length/Unit Available

MODEL NO.	POWER	LED COLOR	INPUT VOLT	LENS DEGREE	SIZE	CUT OUT
IL-LIGL1801A	18*1W	2700K-6000K	AC220/DC24V	10°/15°/30°/45°/60° /10°60°/20°45° /18+55°Asymmetrical	1050*75*84mm	66mm
IL-LIGL2401B	24*1W					
IL-LIGL3601A	36*1W					
IL-LIGL1802A	18*2W	RGB 3in1 DMX512	DC24V			
IL-LIGL2402B	24*2W	RGBW 4in1 DMX512				

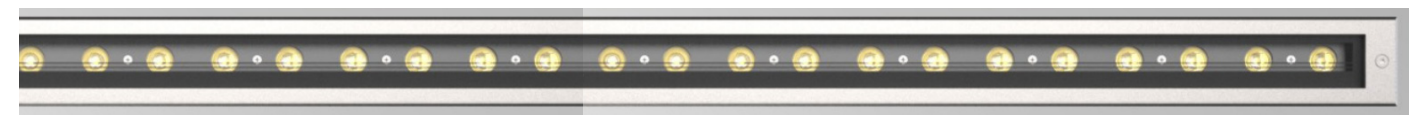
**Material Specifications**

LED:CREE/EPISTAR.  
Front ring of luminaire made of Tetanizing 304 stainless steel while lamp housing made of environmental and high tensile ACD12# die-casting aluminum, and the surface of lamp housing is with American Tiger Powder Paint Treatment, suitable for high-acid and alkali environments use.  
Ultra clear and highly strengthen 8mm tempered glass cover, ensure high luminous efficacy (90-95%) ,outstanding accuracy of color temperature, and excellent impact resistance and rub resistance.  
Power Cable:H05RN-F 2\*1.0mm<sup>2</sup> (low voltage).H05RN-F 3\*0.75mm<sup>2</sup> (high voltage).H05RN-F 5\*0.75mm<sup>2</sup>(RGB).  
Dimmable support: Triac/PWM/0-10V/DALI/DMX512

**Honeycomb Louver**

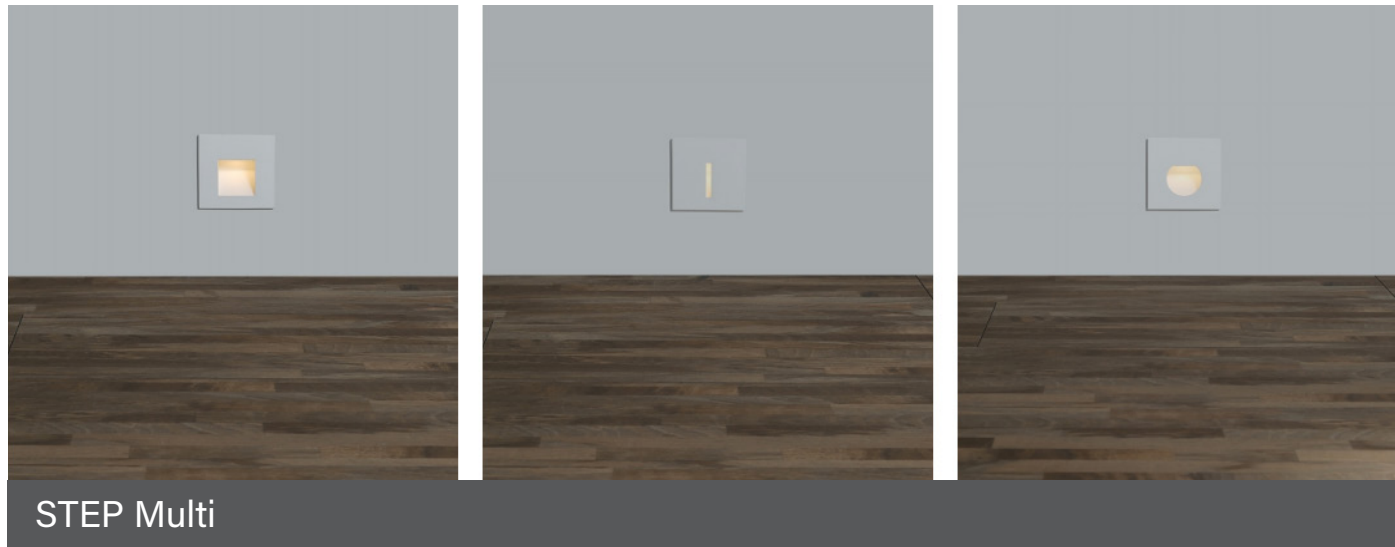


**Half Covered Silk Glass**

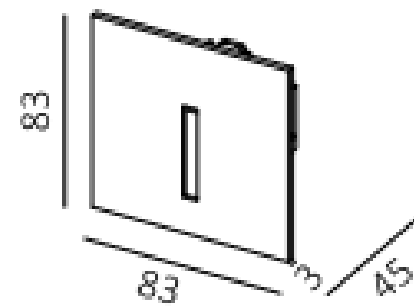




# Wall Light Recessed Type



STEP Multi



**2W IP65 MULTI STEP LIGHT  
WL3019**

700mA 3V, CRI>90, SDCM<3  
(incl. LED converter)

IP65

**FINISHING:**  
Textured White  
Textured Black  
Silver Grey  
Metallic Grey



Model	LED	CCT 3000K	Lens	Power supply unit
IL-0011	2.8W	132lm	102.7°	Integrated

Light distribution  
102.7° ICR 0.16

Model	LED	CCT 3000K	Lens	Power supply unit
IL-0011A	1.4W	85lm	103.8°	Integrated

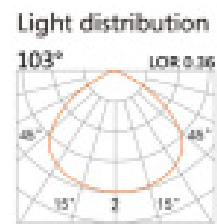
Light distribution  
103.8° ICR 0.18

Model	LED	CCT 3000K	Lens	Power supply unit
IL-0012	2.8W	132lm	104°	Integrated

Light distribution  
104° ICR 0.15

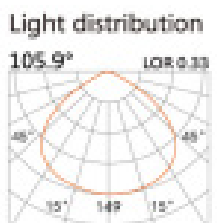


Model	LED	CCT 3000K	Lens	Power supply unit
IL-0013	1.4W	85 lm	103°	Integrated



42(Out out)

Model	LED	CCT 3000K	Lens	Power supply unit
IL-0013A	1.4W	85lm	105.9°	Integrated



42(Out out)

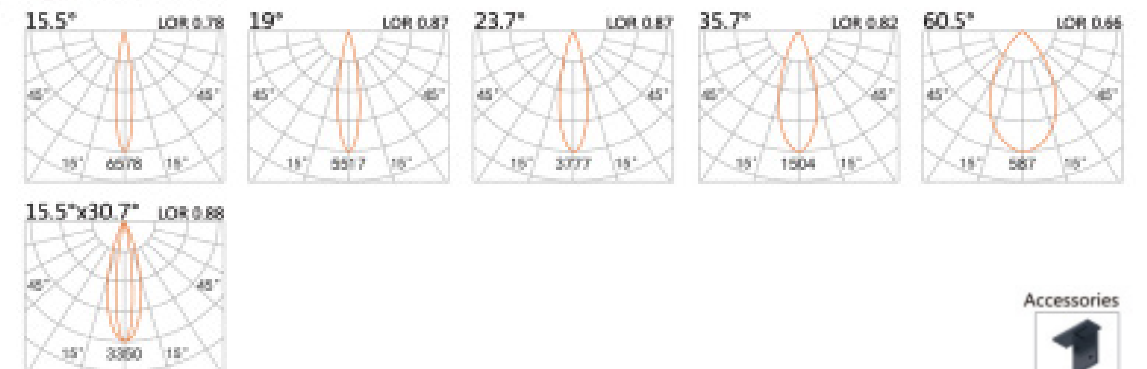
## Wall Light Surface Mounted



Model	LED	CCT 3000K	Lens	Power supply unit
IL - 0072	8.4W	776lm	15.5°/19°/23.7°/35.7°/60.5°/15.5°×30.7°	Integrated
IL - 0072T	8.4W	776lm	15.5°/19°/23.7°/35.7°/60.5°/15.5°×30.7°	Triac controllable
IL - 0072F	4.0W	424lm	15.5°/19°/23.7°/35.7°/60.5°/15.5°×30.7°	1-10V controllable
IL - 0072D	4.0W	424lm	15.5°/19°/23.7°/35.7°/60.5°/15.5°×30.7°	DALI controllable



Light distribution



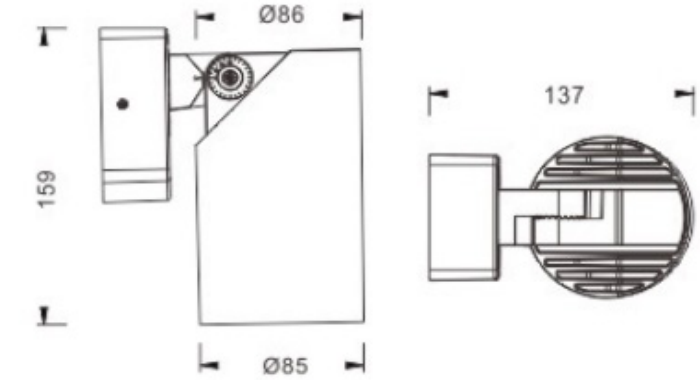
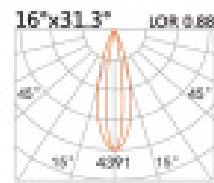
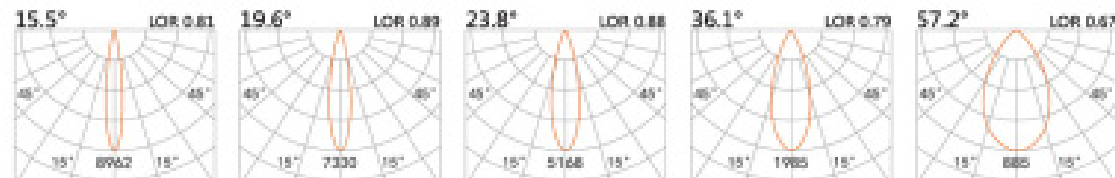


KGP
CREE ⇄
DC24V AC220V Waterproof Connector
DALI/0-10V TRIAC
IP65
IK04
CRI>80/90
Aluminum

Model	LED	CCT 3000K	Lens	Power supply unit
IL - 0073	12.6W	973lm	15.5°/19.6°/23.8°/36.1°/57.2°/16°×3L3°	Integrated
IL - 0073T	12.6W	973lm	15.5°/19.6°/23.8°/36.1°/57.2°/16°×3L3°	Triac controllable
IL - 0073F	8.4W	876lm	15.5°/19.6°/23.8°/36.1°/57.2°/16°×3L3°	1-10V controllable
IL - 0073D	8.4W	876lm	15.5°/19.6°/23.8°/36.1°/57.2°/16°×3L3°	DALI controllable



Light distribution



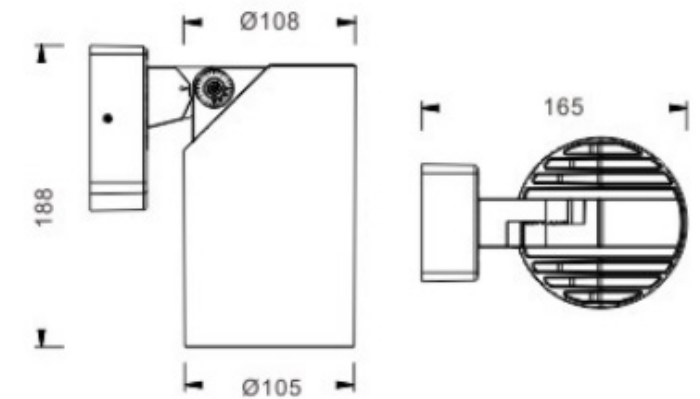
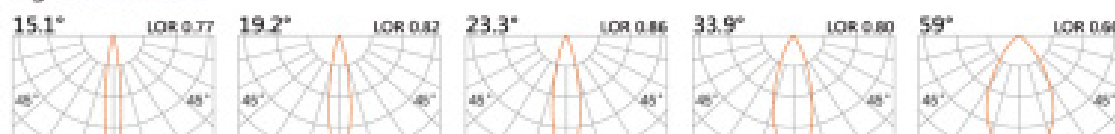
Physical Dimension(MM)

MODEL NO.	POWER	LED QTY.	LED BRAND	LED COLOR	BEAM ANGLE	INPUT VOLT
IL-SMWL0115	15W	1PCS	CREE /CITILED	3000K/4000K /5000K/5700K	10°/15°/23°/38°/60°	AC220V
IL-SMWL0120	20W					DC24V
IL-SMWL0118	18W					
IL-SMWL0124	24W					

Model	LED	CCT 3000K	Lens	Power supply unit
IL - 0074	16.8W	1552lm	15.1°/19.2°/23.3°/33.9°/59°/15.8°×3L3°	Integrated
IL - 0074T	16.8W	1552lm	15.1°/19.2°/23.3°/33.9°/59°/15.8°×3L3°	Triac controllable
IL - 0074F	16.8W	1552lm	15.1°/19.2°/23.3°/33.9°/59°/15.8°×3L3°	1-10V controllable
IL - 0074D	16.8W	1552lm	15.1°/19.2°/23.3°/33.9°/59°/15.8°×3L3°	DALI controllable

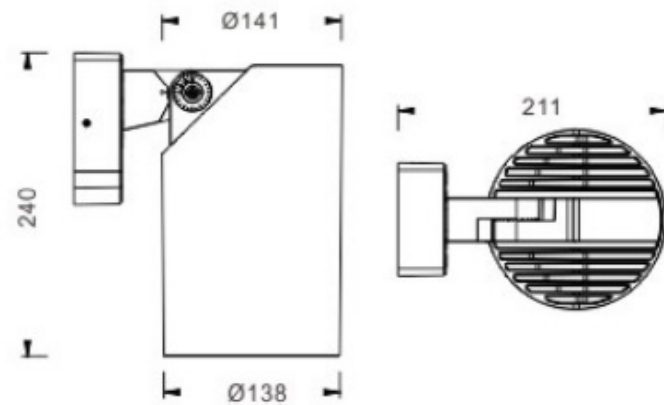


Light distribution



Physical Dimension(MM)

MODEL NO.	POWER	LED QTY.	LED BRAND	LED COLOR	BEAM ANGLE	INPUT VOLT
IL-SMWL0125	25W	1PCS	CREE /CITILED	3000K/4000K /5000K/5700K	10°/15°/23°/38°/60°	AC110V
IL-SMWL0130	30W					AC220V/DC24V
IL-SMWL0136	36W					DC24V



Physical Dimension(MM)

MODEL NO.	POWER	LED QTY.	LED BRAND	LED COLOR	BEAM ANGLE	INPUT VOLT
IL-SMWL0140	40W	1PCS	CREE /CITILED	3000K/4000K /5000K/5700K	10°/15°/23°/38°/60°	AC220V/AC110V
IL-SMWL0145	45W					
IL-SMWL0148	48W					
IL-SMWL0154	54W					DC24V

**Material Specifications**

LED:CREE/CITILED  
 Housing:12# Die-casting powder coated aluminum.T=60-80µm  
 Adhesion of ISO class 1/ASTM class 48.  
 LED Driver: KGP  
 Gasket:Tooling shaped double silicone seal.  
 Dimmable : Triac/Dali/1-10V/PWM/DMX512.  
 Power Cable:H05RN--F 2X1.0mm²L=0.5M(low voltage).H05RN-F 3×1.0mm²L=0.5M(high voltage).  
 Working Temperature:-20 to 40°C.

**Painting Color**

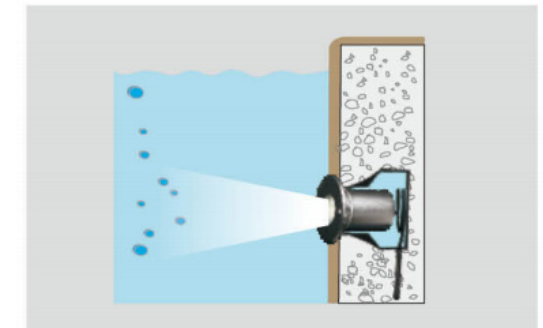


**Underwater Light**

**Wall Recessed**

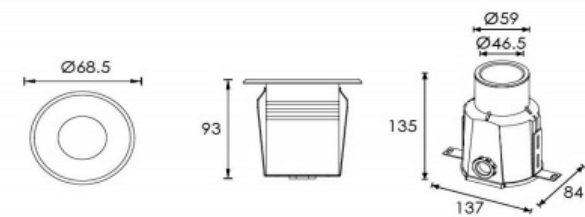


- B33(B33D/B33F)
- L0109F023YH 9°
- L0115D023YH 15°
- L0120D023YH 20°
- L0130D023YH 30°
- L0145D023YH45°



Water must be allowed to go inside and outside sleeve freely without leaking to the other side.

Outer Dimensions Unit:mm



Mounting sleeve Ø61\*

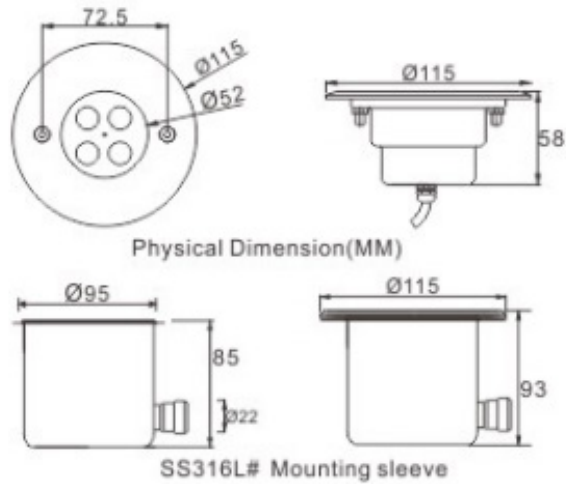
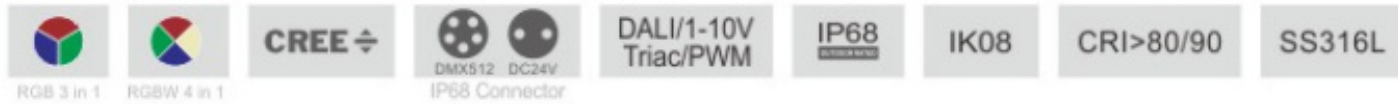
**Warning:**  
 Must be installed under the water to prevent the light from being burnt off because of over-heating.

Material specifications

Front cover & Housing	Hard chromeplated molding shaped stainless steel SUS 316#
Light Window	Step tempered glass.T=7mm
Gasket	Silicone Gasket
Lens	Optical lens,efficiency≥85%
PCB	Excellent heat conductivity aluminum.coefficient of heat Conductivity≥2.0w/mk
LED Driver	Constant Voltage Input,Constant Current Output
Power Cable	H07RN-F 2X1.0mm² L=3.0m
Application environment	Temperature of water between -20°C~40°C less than 1 meter depth.
Mounting sleeve	Ø61* PVC
Dimmable Support	Triac PWM 1-10 Dali

Item	Light source	Lens	The manufacturer selected lens degree(°)Ø1/2	Input voltage(v)	Typical operating current(mA)	Typical consumption(w)	Typical luminance(lm)	IK rate
IL - B4A0158	1×3W	B33D	30°	24VDC	110	2.6	Cool white=174 Warm white=139	06





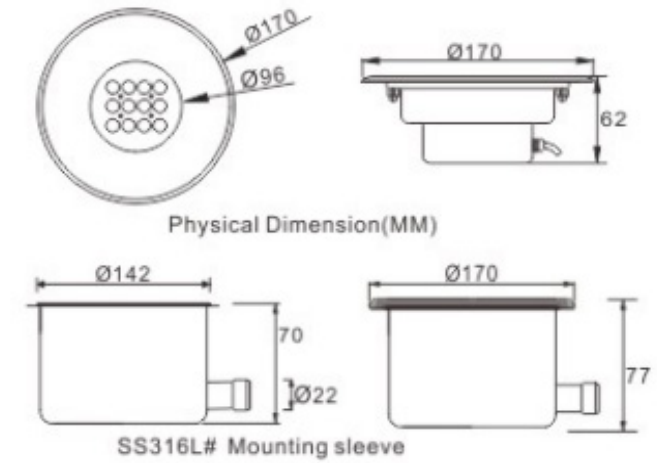
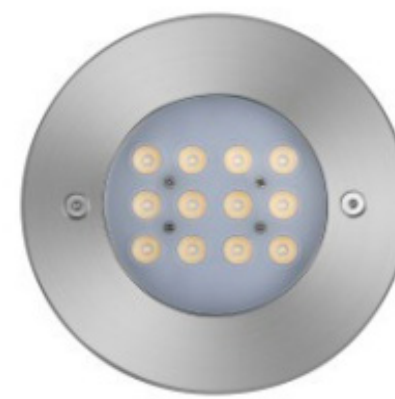
**SS316L# Housing & Mounting Sleeve, With Power Cable Protective Tube**

MODEL NO.	POWER	LED BRAND	LED COLOR	INPUT VOLT	LENS DEGREE	CUT HOLE
IL-SS11506	6W	CREE	Monocolor/RGB/RGBW	AC/DC 12V/24V	15°/30°/45° 15°50°	95*85mm
IL-SS11512	12W					

**Material Specifications**

Front cover&Housing:Hard Chromeplated Molding Shaped Stainless steel  
SUS 316L#  
LED:CREE  
Lens: Optical lens, efficiency≥85%  
Glass:Step tempered glass.T=8mm  
Gasket:Tooling shaped seal  
Driver:Constant current output,Constant current output  
Power cable:3X1.0mm<sup>2</sup>. L=2.5m(Monocolor AC/DC)  
3X1.0mm<sup>2</sup>. L=2.5m(RGB , RGBW AC)  
4X1.0mm<sup>2</sup>. L=2.5m(RGB DC)  
5X0.75mm<sup>2</sup>. L=2.5m(RGBW DC)  
Mounting sleeve:316L# Stainless Steel  
Dimmable Support:Triac/PWM/1-10V/DALI

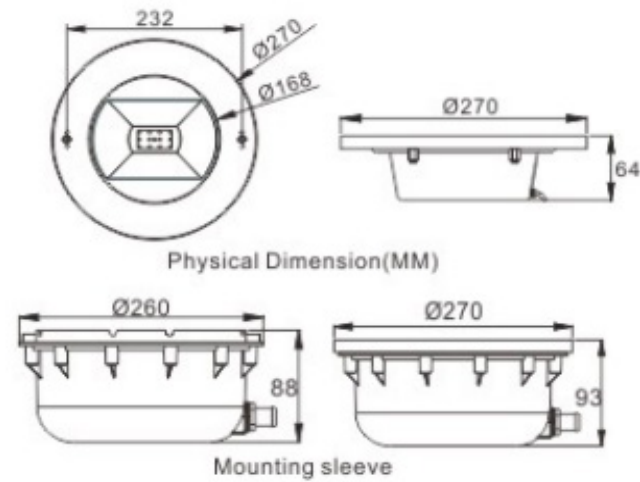
**WARNING:**Must be installed under the water to prevent the light from being burnt off because of over-heating.



**SS316L# Housing & Mounting Sleeve, With Power Cable Protective Tube**

MODEL NO.	POWER	LED BRAND	LED COLOR	INPUT VOLT	LENS DEGREE	CUT HOLE
IL-SS17012	12W	CREE	Monocolor/RGB/RGBW	AC/DC 12V/24V	15°/30°/45° 15°50°	142*70mm
IL-SS17018	18W					
IL-SS17025	25W					

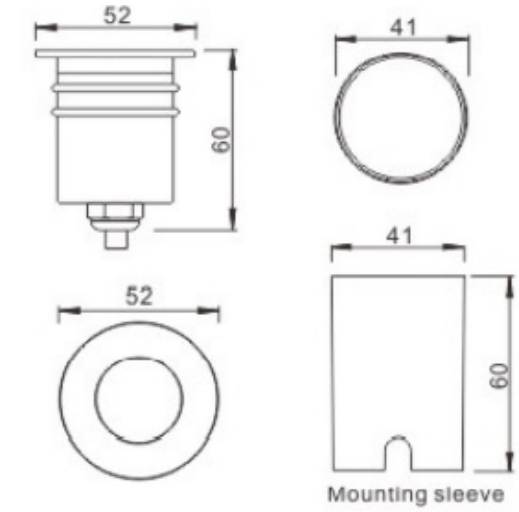




MODEL NO.	POWER	LED BRAND	LED COLOR	INPUT VOLT	LENS DEGREE	CUT HOLE
IL-SS27018K	18W	CREE	Monocolor/RGB	AC/DC 12V/24V	60°	260*88mm
IL-SS27025K	25W					
IL-SS27035K	35W					
IL-SS27050K	50W					

**Material Specifications**

Front cover&Housing:Hard Chromeplated Molding Shaped Stainless steel SUS 316L#/304L#  
LED:CREE  
Lens: Optical lens, efficiency≥85%  
Glass:Step tempered glass.T=8mm  
Gasket:Tooling shaped seal  
Driver:Constant current output,Constant current output  
Power cable:3X1.0mm<sup>2</sup>. L=1.5m  
Mounting sleeve:ABS  
Dimmable Support:Triac/PWM/1-10V/DALI/DMX512



MODEL NO.	POWER	LED BRAND	LED COLOR	INPUT VOLT	LENS DEGREE	CUT HOLE
IL-UW0312A	2W	CREE	2700K / 3000K / 4000K	12V/24V DC	10° / 15° / 21° / 36° / 60°	41*60mm (+3mm)
IL-UW0312B						
IL-UW0312C						

**Material Specifications**

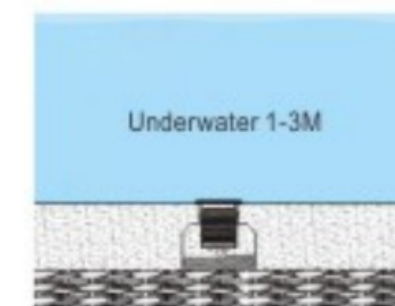
Front cover&Housing:CNC Stainless steel SUS 316L#  
LED:CREE  
Lens: Optical lens, efficiency≥85%  
Glass:Step tempered glass.T=8mm  
Gasket:Tooling shaped seal  
Driver:Constant current output,Constant current output  
Power cable:H07RN-F 2X1.0mm<sup>2</sup>. L=2m(low voltage)  
Mounting sleeve:ABS.

**Optional Model**

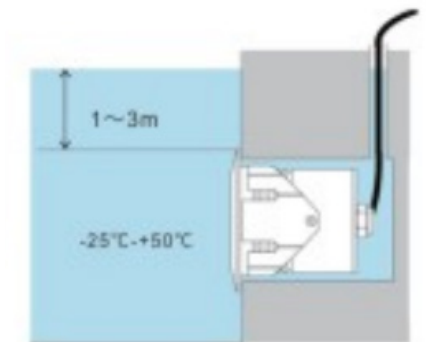


BL-UW0312B

BL-UW0312C

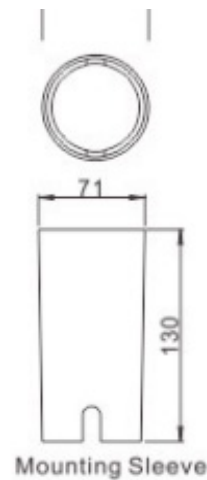
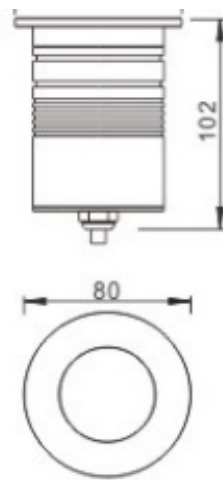


Ground Recessed



Wall Recessed





Mounting Sleeve

MODEL NO.	POWER	LED BRAND	LED COLOR	INPUT VOLT	LENS DEGREE	CUT HOLE
IL-UW0712A	7W	Citizen	2700K / 3000K / 4000K	24V DC	15° / 25° / 38° / 60°	71*130mm (+3mm)
IL-UW0712B						
IL-UW0712C						

### Material Specifications

Front cover&Housing:CNC Stainless steel SUS 316L#

LED:Citizen COB

Lens: Optical lens, efficiency≥85%

Glass:Step tempered glass.T=8mm

Gasket:Tooling shaped seal

Driver:Constant current output,Constant current output

Power cable:H07RN-F 2X1.0mm<sup>2</sup>. L=2m(low voltage)

Mounting sleeve:ABS.

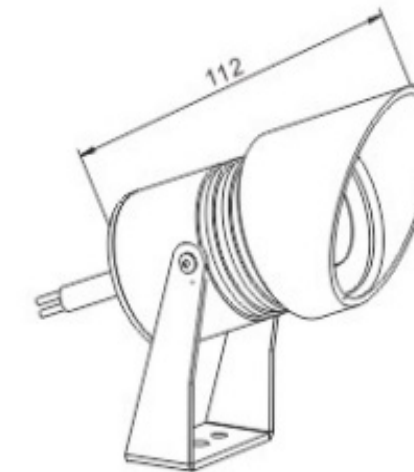
### Optional Model



BL-UW0712B



BL-UW0712C



MODEL NO.	POWER	LED QTY.	LED COLOR	INPUT VOLT	LENS DEGREE	LED BRAND
IL-UWS0301C	3W	1PCS	3000K / 4000K / 5000K / R / G / B	12V/24V DC	20°/40°/60°	CREE
IL-UWS0301D						

### Material Specifications

Front cover&Housing:CNC Stainless steel SUS 316L#

LED:CREE/OSRAM

Lens: Optical lens, efficiency≥85%

Glass:Step tempered glass.T=8mm

Gasket:Tooling shaped seal

Driver:Constant current output,Constant current output

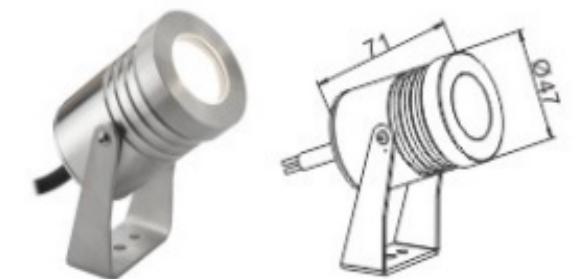
Power cable:H07RN-F 2X1.0mm<sup>2</sup>. L=3m(low voltage)

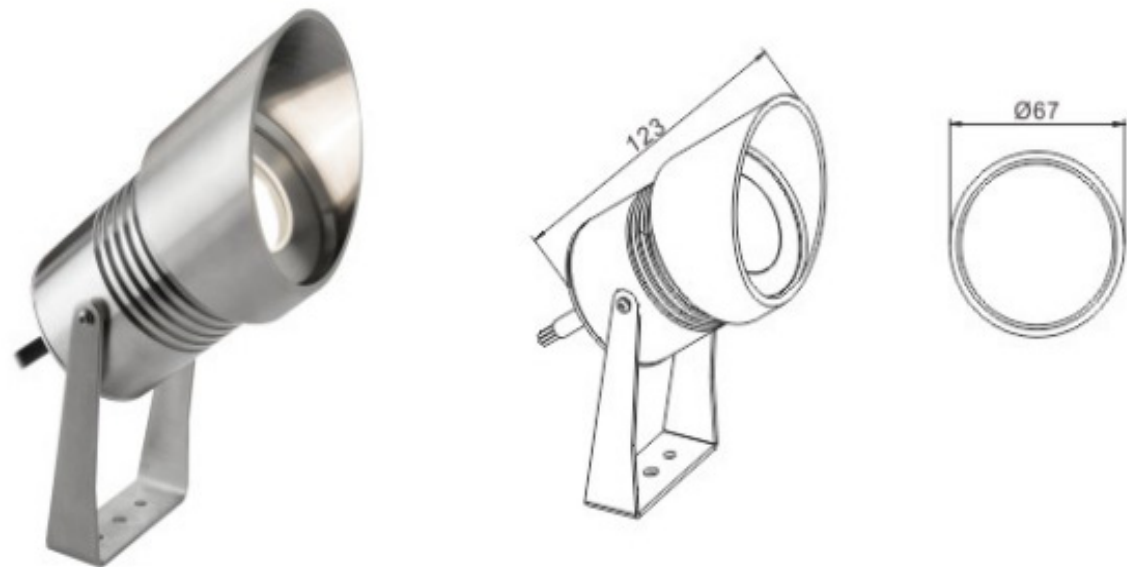
H05RN-F 4X0.75mm<sup>2</sup>. L=3m(RGB )

H05RN-F 5X0.5mm<sup>2</sup>. L=3m(RGB 3in1, RGBW 4in 1 DMX512)

Dimmable Support:Triac/PWM/1-10V/DALI/DMX512

### Without Hood

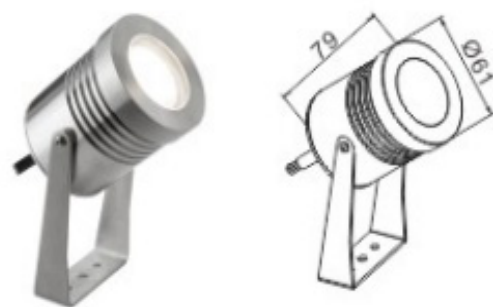




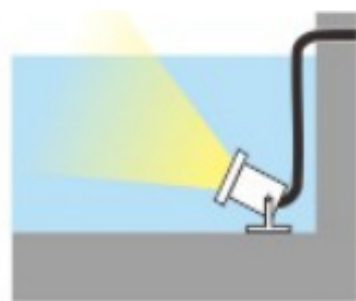
MODEL NO.	POWER	LED QTY.	LED COLOR	INPUT VOLT	LENS DEGREE	LED BRAND
IL-UWS0801C	8W	3PCS	3000K / 4000K / 5000K / R / G / B	12V/24V DC	25°/40°/60°	CREE
IL-UWS0801D						

**Material Specifications**

Front cover&Housing: CNC Stainless steel SUS 316L#  
 LED: CREE/OSRAM  
 Lens: Optical lens, efficiency ≥ 85%  
 Glass: Step tempered glass, T=8mm  
 Gasket: Tooling shaped seal  
 Driver: Constant current output, Constant current output  
 Power cable: H07RN-F 2X1.0mm<sup>2</sup>. L=3m (low voltage)  
                   H05RN-F 4X0.75mm<sup>2</sup>. L=3m (RGB )  
                   H05RN-F 5X0.5mm<sup>2</sup>. L=3m (RGB 3in1, RGBW 4in 1 DMX512)  
 Dimmable Support: Triac/PWM/1-10V/DALI/DMX512



**Without Hood**



Ground Mounted

Underwater 1-3 M



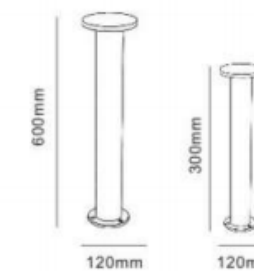
Wall Mounted

**Bollard Light**



Gardens, balconies terraces and walkways

- Die-cast Aluminium body
- Protective powder coated finish
- Silicon rubber gasket

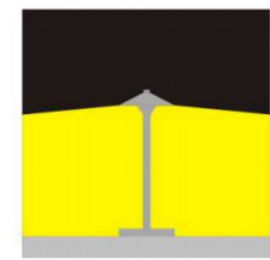
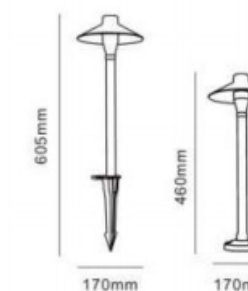


Code	Material	Power	Light source chip	Waterproof level	Exterior color	Luminous color	Input voltage
IL-1006/LL-1007	All aluminum	12W	COB	IP65	Sand black Sand ash	3000K	AC100-265V



Gardens, balconies terraces and walkways

- Die-cast Aluminium body
- Protective powder coated finish
- Silicon rubber gasket



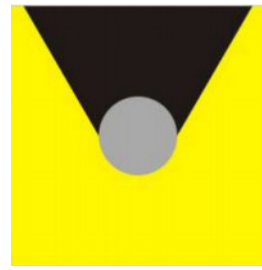
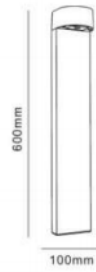
Code	Material	Power	Light source chip	Waterproof level	Exterior color	Luminous color	Input voltage
IL-1020/LL-1021	All aluminum	7W	COB	IP65	Coffee cold	3000K	AC86-265V





Gardens, balconies terraces and walkways

- Die-cast Aluminium body
- Protective powder coated finish
- Silicon rubber gasket

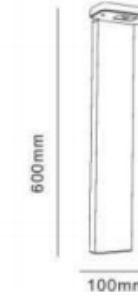


Code	Material	Power	Light source chip	Waterproof level	Exterior color	Luminous color	Input voltage
IL-1027	All aluminum	7W	COB	IP65	Sand black	3000K	AC86-265V

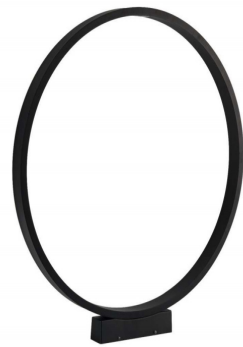


Gardens, balconies terraces and walkways

- Die-cast Aluminium body
- Protective powder coated finish
- Silicon rubber gasket

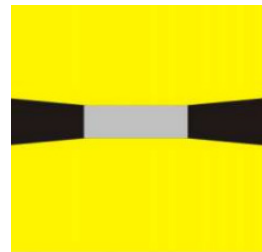
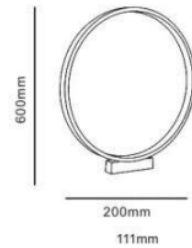


Code	Material	Power	Light source chip	Waterproof level	Exterior color	Luminous color	Input voltage
IL-1026	All aluminum	7W	COB	IP65	Sand black	3000K	AC86-265V



Gardens, balconies terraces and walkways

- Die-cast Aluminium body
- Protective powder coated finish
- Silicon rubber gasket

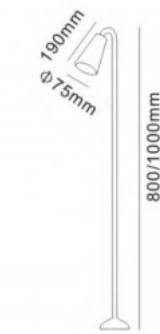


Code	Material	Power	Light source chip	Waterproof level	Exterior color	Luminous color	Input voltage
IL-1019	All aluminum	7W	COB	IP65	Matte Black	3000K	AC110-240V DC24V

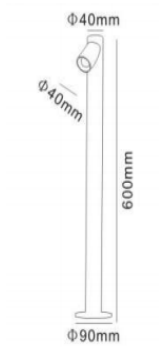


Gardens, balconies, terraces and walkways

- Silicon rubber gasket



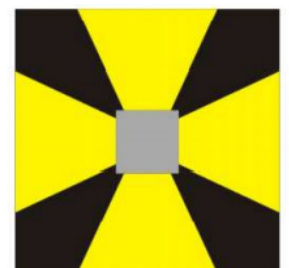
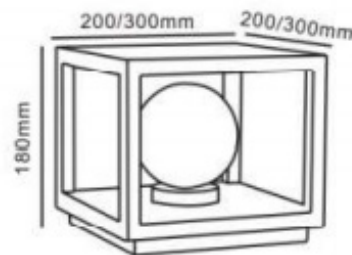
Code	Material	Power	Light source chip	Waterproof level	Exterior color	Luminous color	Input voltage
IL-1042	All aluminum	4W	COB	IP65	Matte Black	3000K	AC110-240V DC24V



Code	Material	Power	Light source chip	Waterproof level	Exterior color	Luminous color	Input voltage
IL-1043	All aluminum	3W	COB	IP65	Matte Black	3000K	AC110-240V DC24V

Gardens, balconies terraces and walkways

- Die-cast Aluminium body
- Protective powder coated finish
- Silicon rubber gasket



Code	Material	Power	Light source chip	Waterproof level	Exterior color	Luminous color	Input voltage
LPL-1001/LPL-1002	Stainless Steel	4/6W	COB	IP65	Sand black	3000K	AC110-240V DC24V



# INTO THE LIGHT



# IN TO THE LIGHT

